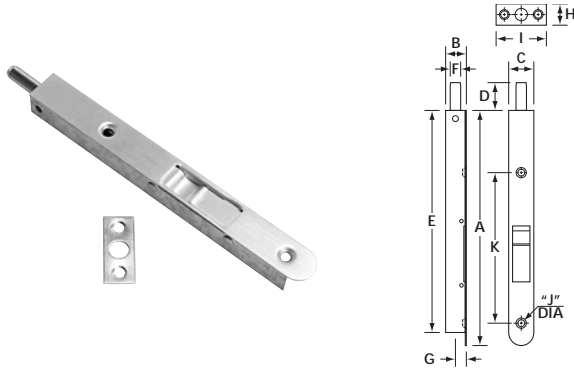


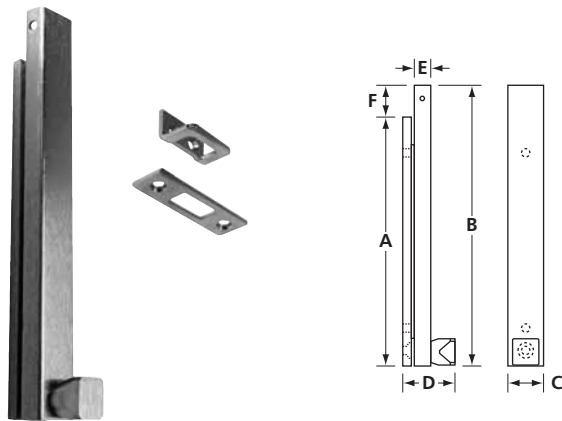
### BOX TYPE FLUSH BOLT FOR WOOD DOORS



- Solid brass and steel construction material
- Box type
- Flush bolt face plate end with 3/8" (9.5mm) radius
- Mounting screws included
- Sold individually
- Finish: polished brass (3) and satin chrome (26D)

MODEL NUMBER	FINISH	A	B	C	D THROW	E	F DIA	G BS	H	I	J DIA	K	PER BOX	WEIGHT LBS / KG
9123	3, 26D	7 (178)	5/8 (16)	3/4 (19)	7/8 (22)	6 11/16 (170)	5/16 (8)	11/32 (8.4)	5/8 (16)	1 1/2 (38)	13/64 (5.2)	4 1/16 (116)	10	2.75 / 1.25

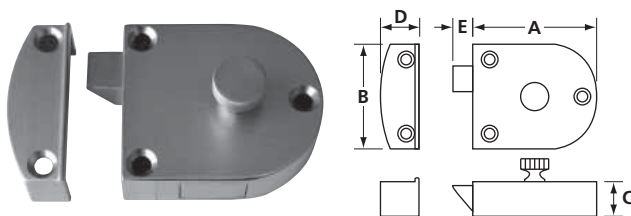
### 8" COMMERCIAL UL SURFACE BOLT



- UL listed
- Both top and bottom strikes included
- Mounting hardware included: wood screws, drywall anchors and machine screws
- Finish: satin nickel (15)

MODEL NUMBER	MATERIAL	FINISH	A	B	C	D	E	F THROW	UNIT WEIGHT LBS / KG
0831	Steel	15	7 (178)	8 (203)	1 (25.4)	1 1/2 (38.1)	1/2 (12.7)	1 (25.4)	1.4 / 0.6

### SECRET GATE LATCH

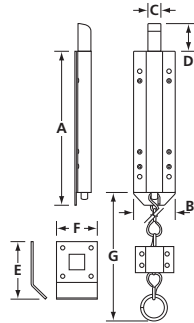


- Mounting hardware included
- Finish: satin nickel (15)

MODEL NUMBER	MATERIAL	FINISH	A	B	C	D	E THROW	PER BOX	BOX WEIGHT LBS / KG
H601	Zinc die-cast	15	2 1/4 (57)	1 15/16 (49.2)	5/8 (15.9)	11/16 (17.5)	3/8 (9.5)	10	3.7 / 1.7

ORDERING EXAMPLE: **9123** SERIES | **-26D** FINISH

### CHAIN BOLT

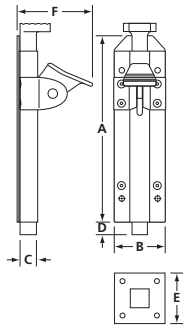


- Heavy-duty chain bolt
- Spring loaded
- Bolt reversible for in-swing and out-swing doors
- Finish: black japanned (1B)

#66S Surface strike for out-swing doors sold separately

MODEL NUMBER	MATERIAL	FINISH	A	B	C SQ	D THROW	E	F	UNIT WEIGHT LBS / KG
66	Steel	1B	7 3/8 (187)	2 (50.8)	5/8 (15.9)	1 5/16 (33.3)	2 (50.8)	2 (50.8)	1.5 / 0.7

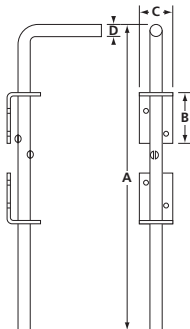
### FOOT BOLT



- Cast iron bolt
- Finish: black japanned (1B)

MODEL NUMBER	MATERIAL	FINISH	A	B	C SQ	D THROW	E SQ	F	UNIT WEIGHT LBS / KG
68	Steel	1B	7 3/8 (187)	2 (50.8)	5/8 (15.9)	1 (25.4)	2 (50.8)	2 7/8 (73)	1.8 / 0.8

### 12" HEAVY-DUTY CANE BOLT



- Mounting hardware included: wood screws
- Finish: zinc plated (2G)

MODEL NUMBER	MATERIAL	FINISH	A	B	C	D DIA	UNIT WEIGHT LBS / KG
1069	Steel	2G	12 (305)	2 (50.8)	1 5/16 (33.3)	15/32 (11.9)	1.0 / 0.45

ORDERING EXAMPLE: 1069 SERIES | -2G FINISH

1B – Black japanned 2G – Zinc plated

Dimensions unless specified otherwise are: Inches (Millimeters)