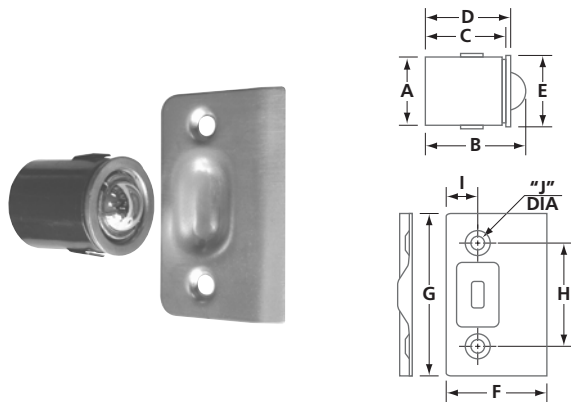


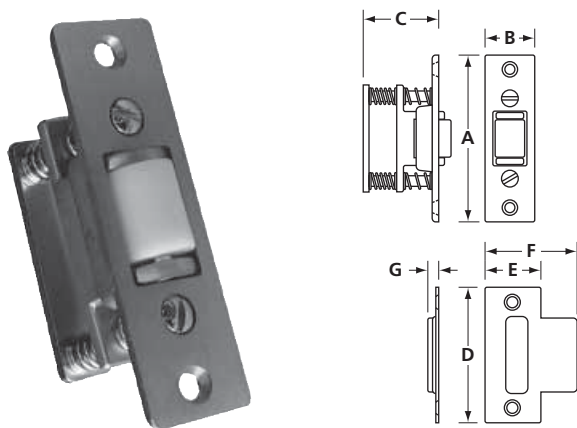
### DRIVE-IN BALL CATCH



- Zinc die-cast body, with steel ball and strike
- Fits into 1" (25.4mm) bore
- Adjustable for frame gap
- Mounting screws included
- Strike model 01003ST, sold separately
- Finish: Satin chrome (26D)

MODEL NUMBER	FINISH	A DIA	B	C	D	E DIA	F	G	H	I	J DIA	QTY PER BOX	WEIGHT LBS / KG
01003	26D	13/16 (23.9)	1 7/16 (40)	1 1/8 (28.5)	1 3/16 (30.1)	1 (25.4)	1 3/8 (35)	2 1/4 (57)	1 9/16 (39.6)	1/28 (12.7)	3/16 (4.8)	50	14.8 / 6.7

### HEAVY-DUTY ROLLER LATCH



- Adjustment for door gap
- Adjustable spring tension on roller
- T-Strike included
- Mounting hardware included: wood screws
- Finish: Satin chrome (26D)

MODEL NUMBER	MATERIAL	FINISH	A	B	C	D	E	F	G	PER BOX	BOX WT LBS / KG
01015T	Zinc die-cast	26D	3 3/8 (86)	1 (25.4)	1 9/16 (39.6)	2 3/4 (70)	1 5/32 (29.4)	1 7/8 (47.6)	1/16 (1.5)	10	4.8 / 2.2

ORDERING EXAMPLE:  $\frac{01015T}{\text{SERIES}}$   $\frac{-26D}{\text{FINISH}}$