

# PARAMOUNT

## 9500 SERIES

### HEAVY-DUTY TOUCH PAD EXIT DEVICES

- Non-handed rim mounted type
- Handed surface vertical rod mounting type
- Less bottom rod option available
- Field reversible and sizable
- Available for door widths 30" (762mm) to 36" (914mm) and 36" (914mm) to 48" (1219mm)
- 2 3/4" (70mm) backset
- Retrofit 161 door prep with additional door preparation
- Made from heavy gauge steel
- Stainless steel latch bolt has 3/4" (19mm) throw
- Stainless steel springs
- Finish: painted metallic aluminum or stainless steel
- Wide variety of optional exterior trims
- Wide variety of optional accessories
- Dogging by hex key on non-fire labelled device
- Conforms to ANSI A156.3, Grade 1
- UL listed for Panic Hardware
- UL listed for 3 hours Fire Exit Hardware
- 5 year limited warranty



CONFORMS TO ANSI  
**GRADE 1**



The 9500 series heavy-duty touch pad exit device offers a sophisticated contoured design and is available with a wide variety of exterior trim and accessory options. This exit device is ideal for use on wood or hollow metal doors and offers exceptional performance for commercial or institutional high traffic applications.

# 9500 SERIES EXIT DEVICES

## SPECIFICATION

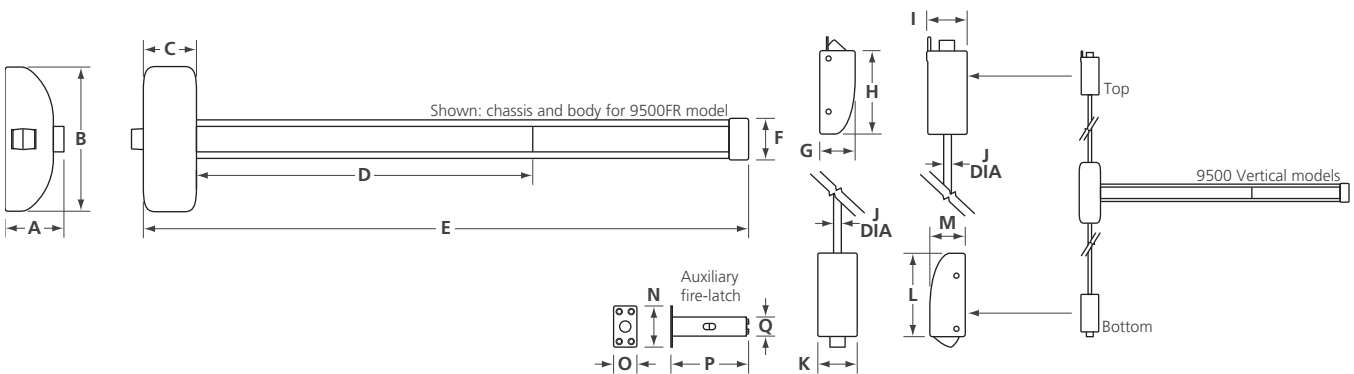
Exit devices for interior and exterior doors shall be 9500 series made from heavy gauge steel and shall meet the requirements of ANSI A156.3, Grade 1. The touch pad exit device shall have a 2 3/4" (70mm) backset (retrofit 161 door prep), shall project no more than 2 1/2" (64mm) from the door surface and permit easy installation on either wood or hollow metal doors with moderate to high traffic. The rim mounted exit device shall be non-handed, field sizeable while the vertical mounted exit device shall be handed but field reversible and sizeable. On non-fire labelled doors, dogging of the exit device shall be permitted with the use of a hex key. The exit device shall be supplied with stainless steel latch bolt, stainless steel springs and all the necessary mounting fasteners. **OPTIONAL:** All 9500 series exit devices shall have a wide variety of exterior trim options. The 9500FV & 9500PV model exit devices shall have top and bottom surface mounted vertical rods. The 9500FL & 9500PL model exit devices shall have a top surface mounted vertical rod. The 9500FL model exit device shall also have an auxiliary fire latch.

## SELECTION GUIDE

MODEL NUMBER	TYPE	DESCRIPTION	DOOR WIDTH	DOOR HEIGHT	FINISH	QTY PER CASE	WEIGHT LBS / KG	
9500PR3	"Panic Hardware" labelled models with touch pad dogging	Rim exit device, non-handed	30 to 36 (762 to 914)	N/A	28, 32D	4	36.7 / 16.7	
9500PR4			36 to 48 (914 to 1219)				42.9 / 19.5	
9500PV37		Surface vertical rod exit device, handed	30 to 36 (762 to 914)	Max. 84 (2134)			47.7 / 21.7	
9500PV48			36 to 48 (914 to 1219)	Max. 96 (2438)			53.9 / 24.5	
9500PL37		Surface vertical rod exit device without bottom rod, handed	30 to 36 (762 to 914)	Max. 84 (2134)			46.4 / 21.1	
9500PL48			36 to 48 (914 to 1219)	Max. 96 (2438)			52.8 / 24.0	
9500FR3		"Fire Exit Hardware" labelled models, 3 hour rating, non-dogging	Rim exit device, non-handed	30 to 36 (762 to 914)			N/A	40.7 / 18.5
9500FR4				36 to 48 (914 to 1219)				47.1 / 21.4
9500FV37			Surface vertical rod exit device, handed	30 to 36 (762 to 914)			Max. 84 (2134)	55.4 / 25.2
9500FV48				36 to 48 (914 to 1219)			Max. 96 (2438)	62.0 / 28.2
9500FL37	Surface vertical rod exit device without bottom rod, handed		30 to 36 (762 to 914)	Max. 84 (2134)	47.5 / 21.6			
9500FL48			36 to 48 (914 to 1219)	Max. 96 (2438)	53.9 / 24.5			

EXIT DEVICE ORDERING EXAMPLE: **9500** SERIES | **FL** TYPE | **3** DOOR WIDTH | **7** DOOR HEIGHT | **RHR** HAND | **-32D** FINISH

## SIZE CHART



MODEL	A	B	C	D	E		F	G	H	I	J DIA	K	L	M	N	O	P	Q DIA
					door width 3	door width 4												
9500PR								N/A	N/A	N/A	N/A	N/A	N/A	N/A	N/A	N/A	N/A	N/A
9500FR																		
9500PV	2 1/2 (63)	7 11/16 (195)	2 11/16 (68)	21 13/16 (554)	32 1/2 (825)	44 1/2 (1130)	2 1/8 (54)	1 11/16 (43)	3 15/16 (100)	2 1/8 (54)	1/2 (13)	2 1/8 (54)	3 15/16 (100)	1 21/32 (42)	N/A	N/A	N/A	N/A
9500FV								2 1/32 (52)		2 5/8 (67)								
9500PL								1 11/16 (43)		2 1/8 (54)								
9500FL								2 1/32 (52)		2 5/8 (67)								

28 – Aluminum    32D – Satin stainless steel    DIA – Diameter    N/A – Not applicable

# 9500 SERIES EXIT DEVICES

## TRIM STYLES



TRIM ORDERING EXAMPLE: 

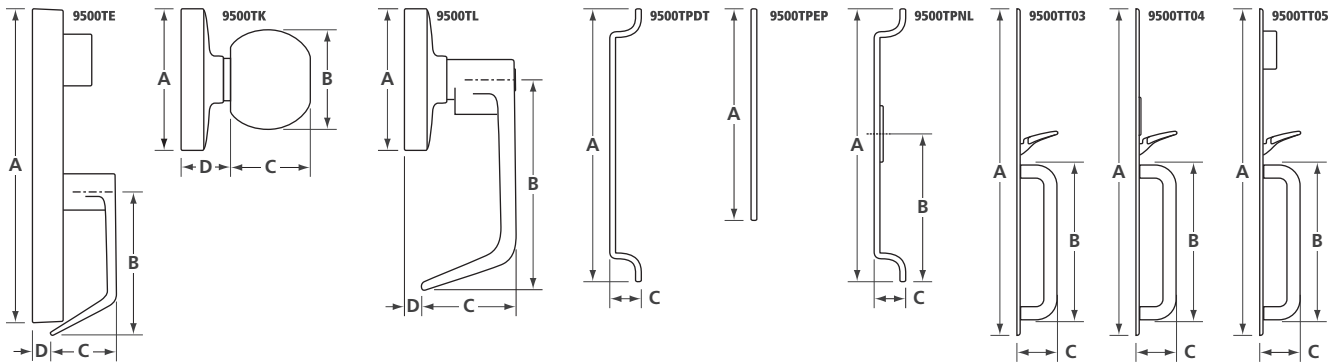
9500 SERIES	TE TYPE	10 FUNCTION	-26D FINISH
----------------	------------	----------------	----------------

## SELECTION GUIDE

MODEL NUMBER	FUNCTION	DESCRIPTION		FINISH	QTY PER CASE	WEIGHT LBS / KG
9500TE10 9500TE70 9500TE70IC 9500TE80 9500TE80IC	Passage Entrance / classroom Entrance / classroom IC, less core Storeroom Storeroom IC, less core	Escutcheon lever trim		26D, 28*	20	47.1 / 21.4 57.9 / 26.3 58.0 / 26.4 57.9 / 26.3 58.0 / 26.4
9500TK10 9500TK70 9500TK80	Passage Entrance / classroom Storeroom	Knob trim	Solid brass 6-pin cylinder Schlage "C" keyway, except passage function	26D	20	31.9 / 14.5 34.8 / 15.8 34.8 / 15.8
9500TL10 9500TL70 9500TL70IC 9500TL80 9500TL80IC	Passage Entrance / classroom Entrance / classroom IC, less core Storeroom Storeroom IC, less core	Lever trim		26D	20	36.5 / 16.6 39.8 / 18.1 41.0 / 18.6 39.4 / 17.9 41.0 / 18.6
9500TPDT 9500TPEP 9500TPNL	Function #2 Function #1 Function #4	Pull trim Blank trim plate Pull trim, solid brass 6-pin cylinder Schlage "C" keyway		28	20 100 20	11.2 / 5.1 29.9 / 13.6 19.8 / 9.0
9500TT03 9500TT04 9500TT05	Passage / function #3 Storeroom / function #4 Entrance / function #5	Thumbpiece trim Rim cylinder Thumbpiece with mortise cylinder	Solid brass 6-pin cylinder Schlage "C" keyway, except passage function	28, 32D*	20	42.8 / 19.4 45.8 / 20.8 55.6 / 25.2

# 9500 SERIES EXIT DEVICES

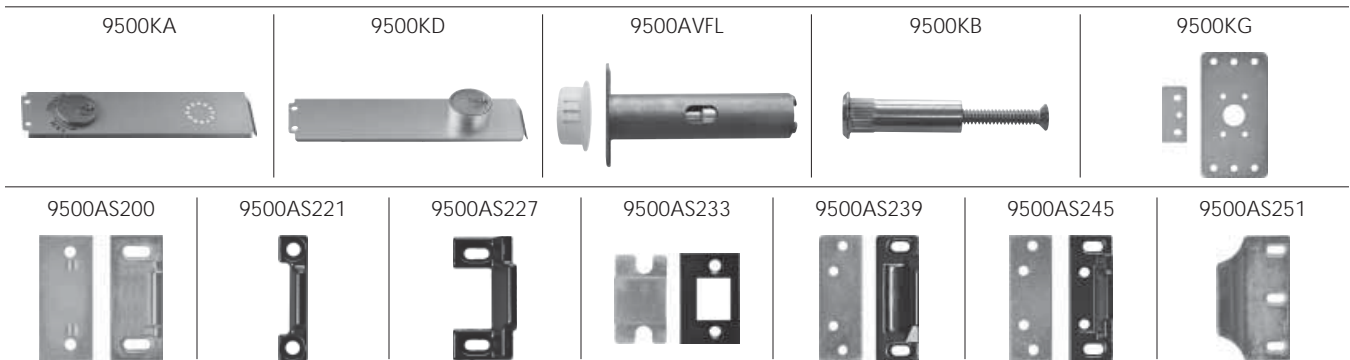
## SIZE CHART



MODEL**	A	B	C	D	E*
9500TE	8 13/16 (223.8)	4 5/8 (118)	1 7/8 (48)	1/2 (12)	2 1/2 (63)
9500TK	3 3/8 (86) DIA	2 1/4 (57) DIA	1 5/8 (41)	1 1/8 (29)	N/A
9500TL		4 7/16 (113)	2 3/16 (55)		
9500PDT	7 13/16 (198)	N/A	1 1/4 (32)	N/A	3 (76)
9500PEP	5 11/16 (144)		N/A		
9500PNL	7 13/16 (198)	4 1/8 (105)	1 7/32 (31)		
9500TT03	14 1/2 (368)	6 1/8 (156)	2 1/8 (54)		
9500TT04					
9500TT05					

\* dimension width of base "E" (not shown) \*\* spindle length accomodates 1 3/4" (45mm) door thickness (where applicable)

- |           |  |           |   |
|-----------|--|-----------|---|
| 9500KA36  | Alarm kit for size 3 model exit device                             | 9500KB357 | Sex nut bolt kit for rim exit device, 1 3/4" (44.5mm) door thickness (kit of 6)       |
| 9500KA48  | Alarm kit for size 4 model exit device                             | 9500KB363 | Sex nut bolt kit for rim exit device, 2 1/4" (57.2mm) door thickness (kit of 6)       |
| 9500KD36  | Cylinder dogging kit for panic size 3 model exit device            | 9500KB369 | Sex nut bolt kit for vertical exit device, 1 3/4" (44.5mm) door thickness (kit of 14) |
| 9500KD48  | Cylinder dogging kit for panic size 4 model exit device            | 9500KB375 | Sex nut bolt kit for vertical exit device, 2 1/4" (57.2mm) door thickness (kit of 14) |
| 9500AT96  | Vertical top rod for 96" (2438mm) door height                      | 9500AS200 | Roller strike for panic rim exit device   |
| 9500AT126 | Vertical top rod for 126" (3200mm) door height                     | 9500AS221 | Bottom strike for panic vertical exit device  |
| 9500AVFB  | Bottom latch case for fire vertical exit device                    | 9500AS227 | Top strike for panic vertical exit device   |
| 9500AVFL  | Auxiliary fire latch for fire vertical less bottom rod exit device | 9500AS233 | Flush mounting bottom strike for fire/panic vertical exit device                      |
| 9500AVFT  | Top latch case for fire vertical fire exit device                  | 9500AS239 | Strike for panic rim exit device  |
| 9500AVPB  | Bottom latch case for panic vertical exit device                   | 9500AS245 | Strike for fire rim/vertical exit device  |
| 9500AVPT  | Top latch case for panic vertical fire exit device                 | 9500AS251 | Overlapping strike for panic rim exit device  |
| 9500ABR   | Bottom rod for vertical exit device                                | 9500ACPR  | Head cover for panic rim exit device  |
| 9500AG    | Rod guides for vertical exit device                                | 9500ACPV  | Head cover for panic vertical exit device   |
| 9500KG401 | Glass bead shim kit for rim exit device                            | 9500ACFR  | Head cover for fire rim exit device   |
| 9500KG406 | Glass bead shim kit for panic vertical exit device                 | 9500ACFV  | Head cover for fire vertical exit device  |
| 9500KG412 | Glass bead shim kit for fire vertical exit device                  |           |   |



DIA - Diameter N/A - Not applicable

Dimensions unless specified otherwise are: Inches (Millimeters)