

PARAMOUNT

1400 SERIES MORTISE EXIT DEVICES

- Push Pad Type:
 - » Rim (handed, reversible)
 - » Concealed vertical rod (non-handed)
- For 1 3/4" (44mm) door thickness
- Available in 36" (914mm) and 42" (1067mm) door widths
- Easy installation with template
- Heavy-duty steel construction deadlatch lock with 1 1/8" (28.6mm) backset, adjustable mounting posts, anodized faceplate and stainless steel latch bolt, included in rim type models
- Extruded, gently curved aluminum pushbar
- Made from high tensile strength aluminum
- Finishes: anodized aluminum or dark bronze
- Positive and secure dogging by allen key
- UL listed for "Panic Hardware"
- 1 year limited warranty



The 1400 series exit device is aesthetically pleasing to complement today's modern architectural designs. This exit device is used for moderate traffic on narrow and wide stile aluminum door applications.

1400 SERIES EXIT DEVICES

SPECIFICATION

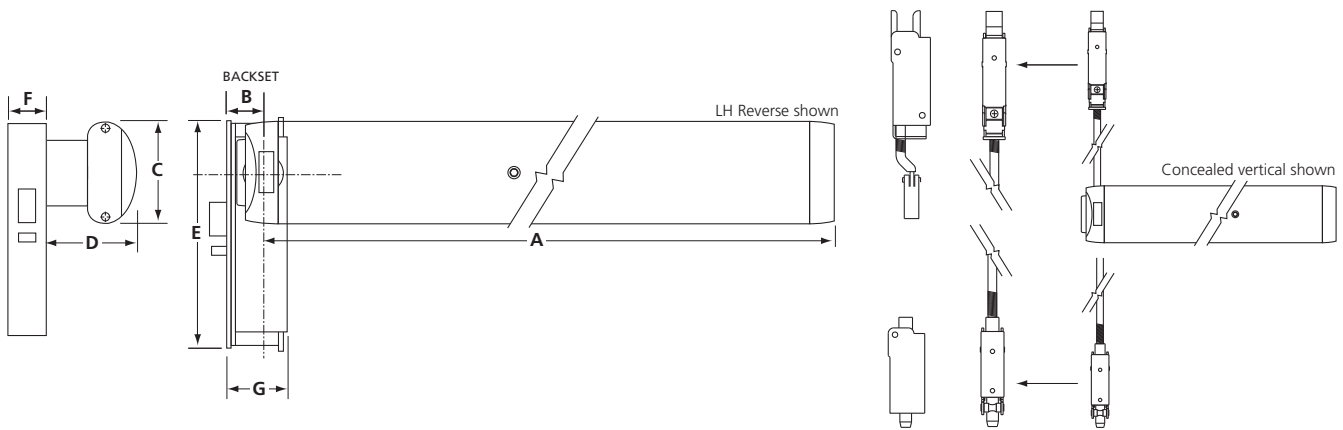
Exit devices for narrow to wide stile aluminum doors with moderate traffic shall be 1400 series, made from high tensile strength aluminum alloy material and shall project no more than 2 3/4" (70mm) from the door surface. The exit device shall be supplied with all necessary mounting fasteners for 1 3/4" (44mm) door thickness. Dogging of the exit device shall be provided with the use of an allen-key. The rim exit device shall be handed but field reversible. The vertical exit device shall be non-handed concealed vertical top and bottom rod mounting type, capable of accommodating 36" (914mm) door width and 84" (2134mm) door height. The rim exit device, capable of accommodating 36" (914mm) or 42" (1067mm) door widths shall be supplied with a heavy-duty deadlatch. The deadlatch shall be of steel construction with 1 1/8" (28.6mm) backset, adjustable mounting posts, anodized aluminum round faceplate and stainless steel deadlatch. **OPTIONAL:** Cylinder mounting kit available for vertical concealed rod applications.

SELECTION GUIDE

MODEL NUMBER	DESCRIPTION	FINISH	QTY PER CASE	WEIGHT LBS / KG
1400PV36	Concealed vertical rod exit device with 36" (914mm) pushbar, non-handed; complete set	20D, 28	6	63.1 / 28.7
1400PR36	Rim type exit device with 36" (914mm) pushbar, handed (LHR or RHR); complete set			50.8 / 23.1
1400PR42	Rim type exit device with 42" (1067mm) pushbar, handed (LHR or RHR); complete set			57.2 / 26.0

ORDERING EXAMPLE: 1400 | PR | 42 | RHR | -28
 SERIES | TYPE | BAR WIDTH | HAND | FINISH

SIZE CHART



MODEL	A	B	C	D	F	G	H
1400PV36	33 7/8 (860)	1 1/8 (29)	3 1/6	2 3/4 (70)	6 3/4 (171)	1 (25.4)	1 3/4 (44)
1400PR36	39 7/8 (1013)						
1400PR42	33 7/8 (860)						

PARTS & ACCESSORIES

1400KVE Cylinder Escutcheon
 CBM100 Standard mortise cylinder 1" long with type A cam
 CMCAMA Adams Rite cam

1400KVE



CBM100



CMCAMA

