

# PARAMOUNT

---

## NH900 SERIES CROSSBAR EXIT DEVICE

- Mounting type: handed rim
  - Field reversible
  - Field sizable
  - Easy installation with template
  - 2 3/4" (70mm) backset
  - Retrofit 161 door prep
  - For 1 3/8" (35mm) to 2 1/4" (57mm) door thickness
  - Available with 38" (965mm) or 48" (1219mm) width crossbar
  - Optional exterior trims available
  - Uses standard rim cylinder for keyed entry (sold separately)
  - Made from heavy gauge steel
  - Stainless steel latch bolt
  - Stainless steel springs
  - Finish: metallic aluminum
  - Dogging by hex key
  - Conforms to ANSI A156.3 Grade 2
  - UL listed for "Panic Hardware"
  - 1 year limited warranty
- 



---

The NH900 series rim exit device offers a traditional crossbar design and is available with a variety of exterior trim options. This rim type exit device is ideal for moderate use for wood or hollow metal door applications.

---

# NH900 SERIES EXIT DEVICES

## SPECIFICATION

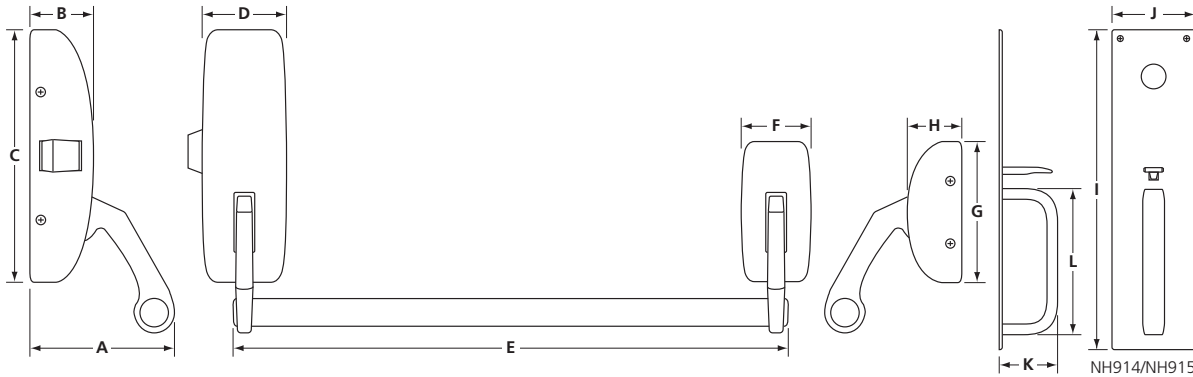
Exit devices for interior and exterior doors shall be NH900 series and shall meet the requirements of ANSI A156.3 Grade 2. The rim type crossbar exit device shall have a 2 3/4" (70mm) backset (retrofit 161 door prep) and permit easy installation on either 1 3/8" (35mm) to 2 1/4" (57mm) wood or hollow metal doors with moderate traffic. The exit device shall be field reversible, field sizable and shall project no more than 4 3/4" (121mm) from the door surface. Dogging of the exit device shall be permitted with the use of a hex key. The exit device shall be supplied with all the necessary mounting fasteners. **OPTIONAL:** All NH900 series exit devices shall have a wide variety of exterior trims (rim cylinder required). The NH900 series exit device shall be capable to accommodate a maximum 48" (1219mm) crossbar.

## SELECTION GUIDE

MODEL NUMBER	FUNCTION	DESCRIPTION	FINISH	QTY PER CASE	WEIGHT LBS / KG
NH900-1	#1	Exit door only; no exterior trim	28	12	72.6 / 33.0
NH900-3	#3	Entrance by thumb piece, latch always free		6	46.2 / 21.0
NH900-4	#4	Latch activated by key only from outside, door always locked, Rim cylinder not included		6	45.3 / 20.6
NH900-5	#5	Latch activated by thumb piece, except when locked by outside key, Rim cylinder not included		6	47.1 / 21.4

ORDERING EXAMPLE: **NH900** | **-3**  
SERIES | FUNCTION

## SIZE CHART



MODEL	A	B	C	D	E*	F	G	H	I	J	K	L
NH900	4 3/4 (121)	2 1/8 (54)	8 1/2 (216)	2 11/16 (68)	38 (965)	2 3/16 (55)	4 5/8 (117)	2 (51)	16 (406)	3 1/2 (89)	2 1/16 (52)	7 1/2 (190)

\* Includes 38" (965mm) crossbar, 48" (1219mm) crossbar sold separately

## PARTS & ACCESSORIES

<b>NH911</b>	End cap with screw	<b>NH926-48</b>	48" (1219mm) chromed steel crossbar
<b>NH912</b>	Conversion kit, from function #1 to #5	<b>NH990</b>	Dogging screw
<b>NH913</b>	Conversion kit, from function #1 to #4	<b>NH995</b>	Coilspring for bar levers
<b>NH914</b>	Trim for NH900-4	<b>NH998</b>	Spring for latch (new type)
<b>NH915</b>	Trim for NH900-5	<b>NH999</b>	Spring for latch (old type)
<b>NH916</b>	End chassis mount replacement	<b>NHST10</b>	Standard single door strike
<b>NH926</b>	38" (965mm) chromed steel crossbar	<b>NHST11</b>	Flat strike for double door without mullion

NH911



NH912



NH913



NH990 / 995 / 998



NHST10 / NHST11

