

PARAMOUNT

1100 SERIES CROSSBAR EXIT DEVICES

- Mounting type: non-handed concealed vertical rod or handed rim
 - Field sizable
 - Easy installation with template
 - Available in 36" (914mm) and 48" (1219mm) widths
 - 1185 model exterior function via mortise cylinder and AR cam (mounted on #1170)
 - 1195 model exterior function via rim cylinder
 - Heavy-duty lever arms and body
 - Extruded aluminum contoured crossbar
 - Made from high tensile strength aluminum
 - Stainless steel latch bolt
 - Stainless steel springs
 - Finishes: anodized aluminum or dark bronze
 - Dogging by slotted key or outside cylinder
 - 1 year limited warranty
-



The 1100 series exit device offers a sleek traditional crossbar design for narrow stile doors. This exit device may also be used for moderate traffic on medium and wide stile aluminum door applications.

1100 SERIES EXIT DEVICES

SPECIFICATION

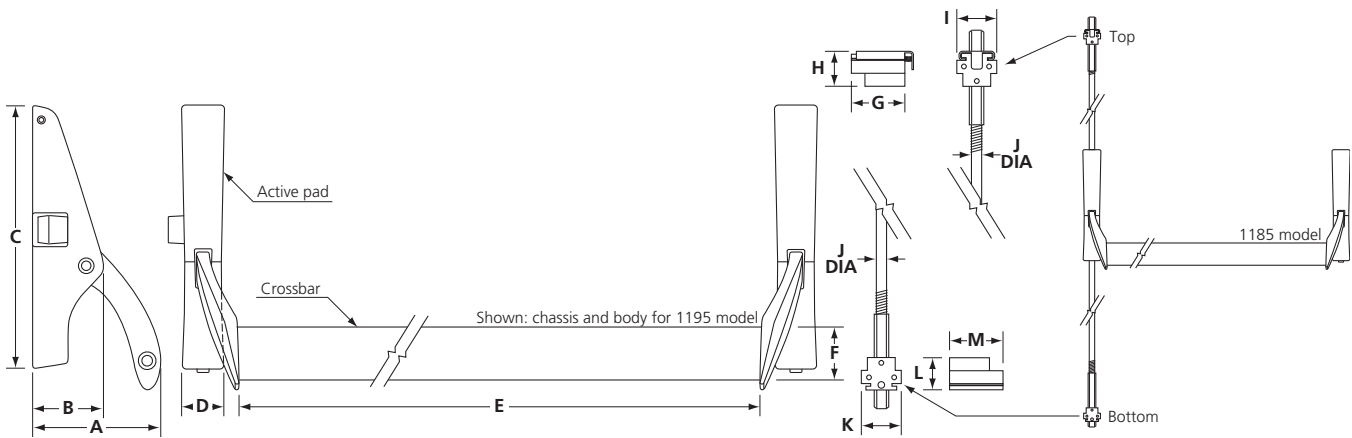
Exit devices for narrow to wide stile aluminum doors with moderate traffic shall be 1100 series made from high tensile strength aluminum alloy material. The rim type crossbar exit device shall be handed, field sizeable, and shall project no more than 4 5/8" (118mm) from the door surface. Dogging of the exit device shall be permitted with the use of a slotted key or outside cylinder. The exit device shall be supplied with all the necessary mounting fasteners. **OPTIONAL:** The 1185 exit device shall have a non-handed concealed vertical rod. The 1100 series exit device shall be capable to accommodate a maximum 48" (1220mm) contoured aluminum extruded crossbar.

SELECTION GUIDE

MODEL NUMBER	DESCRIPTION	FINISH	QTY PER CASE	WEIGHT LBS / KG
1185	Concealed vertical rod exit with 36" (914mm) crossbar, non-handed; complete set for 1 3/4" door thickness and 7' high doors only.	28, 20D	6	44.8 / 20.4
1195	Rim type exit device 36" (914mm) crossbar, handed (LHR or RHR); complete set for 1 3/4" door thickness.			28.6 / 13.0

ORDERING EXAMPLE: $\frac{1185}{\text{SERIES}} \mid \frac{-28}{\text{FINISH}} \mid \frac{-}{\text{HAND}}$

SIZE CHART



MODEL	A	B	C	D	E	F	G	H	I	J	K	L	M
1185 / 1195	4 5/8 (117.5)	2 (50.8)	7 3/8 (187.3)	1 1/4 (31.8)	36 (914.4)	1 1/2 (38.1)	1 1/2 (38.1)	1 (25)	1 3/32 (28)	3/8 (9.5)	1 3/32 (28)	15/16 (24)	1 1/2 (38.1)

PARTS & ACCESSORIES

1170	Mounting pad for mortise cylinder, with locking ring	1195PAD	Active pad for model #1195 (specify handing and finish)
1185-36	36" (914mm) replacement crossbar, extruded aluminum	1195S	Strike for model #1195
1185-48	48" (1219mm) replacement crossbar, extruded aluminum	40-809	Lever extension spring for model #1185
1185G	Top and bottom vertical rod guides for model #1185	50-979	Dogging pins and slotted key for model #1195

1170



1185G



1195S



40-809



50-979

