



- Certifications**
- UL listed, Panic Exit
 - 1 Year limited warranty

- Handing**
- 1185: Non-handed (concealed vertical rod)
 - 1195: Handed (rim)

- Door Size**
- 30–36x84" (711–914x2134 mm)
 - 36–48x84" (914–1219x2134 mm) *
- (*) With #1185-48 crossbar, sold separately

- Door Thickness**
- 1 3/4" (45.5 mm)
- Recommended for aluminum doors*

- Stile Width**
- 1 3/4" (44.5 mm) minimum
- Measured from door edge*

- Projection**
- 4 5/8" (118 mm) from door surface

- Latchbolts**
- Zinc alloy, 1/2" (12.7 mm)

- Vertical Rods**
- Standard for 7' (2134 mm) door
- 1185 concealed vertical rod model only*

- Crossbar**
- Field sizable
 - 36" (965 mm) aluminum extrusion
 - 48" (1219 mm) aluminum extrusion – available

- Strike**
- 1185: Standard steel top & bottom strikes
 - 1195: Roller type steel strike #1195S

- Dogging**
- 1185: by outside cylinder
 - 1195: by slotted key

- Hardware**
- Machine screws

- Finish**
- 20D–Dark bronze; 28–Aluminum
- Other finishes available by special order*

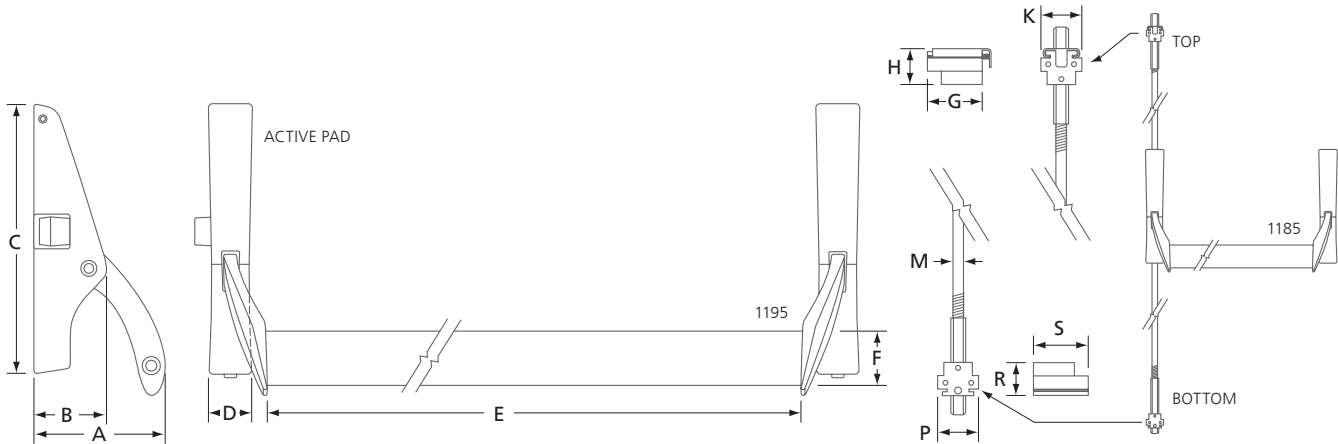
1195	28	LHR
MODEL ¹	FINISH	HAND ²

(1) SEE SELECTION GUIDE (2) LHR –LEFT HAND REVERSED RHR –RIGHT HAND REVERSED

SELECTION GUIDE

MODEL		DOOR SIZE ¹	DOGGING ²	FINISH	/CASE
1185	Panic exit hardware concealed vertical rod crossbar, non-handed	30-36x84 (762-914x2134)	•	20D, 28	6
1195	Panic exit hardware rim crossbar, handed	30-36x84 (762-914x2134)	•	20D, 28	6

(1) RECOMMENDED DOOR SIZE, IN (MM), FOR NON-STANDARD SIZES OR INSTALLATIONS PLEASE CONTACT. (2) 1185: BY CYLINDER 1195: BY SLOTTED KEY



MODEL	A	B	C	D	E ¹	F	G	H	K	M	P	R	S
1185	4 ⁵ / ₈ (117)	2 (51)	7 ³ / ₈ (187)	1 ¹ / ₄ (32)	36 (914)	1 ¹ / ₂ (38)	1 ¹ / ₂ (38)	1 (25)	1 ³ / ₃₂ (28)	∅ 3 ¹ / ₈ (9.5)	1 ³ / ₃₂ (28)	1 ⁵ / ₁₆ (24)	1 ¹ / ₂ (38)
1195	—	—	—	—	—	—	—	—	—	—	—	—	—

IN (MM) (1) CAN BE CUT TO SIZE; 48" (1219MM) BAR AVAILABLE

PARTS & COMPONENTS

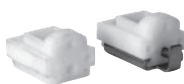


1185-36
36" (914mm) extruded aluminum crossbar. Available in aluminum (28) or dark bronze (20D) finish.

1185-48
48" (1219mm) extruded aluminum crossbar. Available in aluminum (28) or dark bronze (20D) finish.



1170
Cylinder mounting kit with locking ring for #1185. Available in aluminum (28) or dark bronze (20D) finish.



1185G
Top & bottom rod guides for #1185.



40-809
Lever extension spring for #1185.



1195PAD
Active pad for #1195. Indicate required handing. Available in aluminum (28) or dark bronze (20D) finish.



1195S
Roller-type strike for #1195 panic rim device.



50-979
Dogging pins and slotted key for #1195.