

BHMA  
CERTIFIED

G1

UL  
LISTED

3H

5  
YEAR

- Certifications**
- Certified ANSI/BHMA A156.3, Grade 1
  - UL listed, Panic Exit
  - UL listed, up to 3hr Fire Exit
  - 5 Year limited warranty

- Rail Assembly**
- Steel rail assembly
  - Stainless steel assembly (32D finish)
  - Field sizable

- Handing**
- Non-handed

- Door Width**
- 30–38" (762–965 mm)
  - 36–48" (914–1219 mm) – option

- Door Height**
- Panic Exit: 120" (3048 mm) maximum
  - Fire Exit: 96" (2438 mm) maximum

- Door Thickness**
- 1 3/4" (45.5 mm)
  - 2 1/4" (57 mm) – available\*

(\* Requires #9500KB363, see Parts & Accessories

- Stile Width**
- 4 1/2" (114 mm) minimum
- Measured from door edge*

- Projection**
- 2 1/2" (64 mm) from door surface

- Latchbolt**
- Stainless steel, 3/4" (19 mm) throw

- Strike**
- 9500PR: Steel, standard type #9500AS239
  - 9500FR: Steel, standard type #9500AS245
- Other strikes available*

- Dogging**
- For Panic Exit models only
  - Hex key dogging
  - Cylinder dogging<sup>1</sup> – available
- (1) See 9500 Trims & Accessories*

- Mounting Hardware**
- Machine and wood screws
  - Sex nut & thru-bolts<sup>1</sup> – available
  - Glass bead shim kit – available
- (1) Included with 9500FR. Required for non-reinforced hollow metal doors.*

- Electrical Options**
- Electronic latch retraction – option
  - Alarm kit – available\*
  - Request to exit – available\*
- (\* Sold separately, see 9500 Trims & Accessories*

- Trims**
- Lever, knob, pull, plate, escutcheon and handleset trims available
- Sold separately, see 9500 Trims & Accessories*

- Finish**
- 28–Aluminum, painted;
  - 32D–Satin Stainless Steel
- Other finishes available by special order*

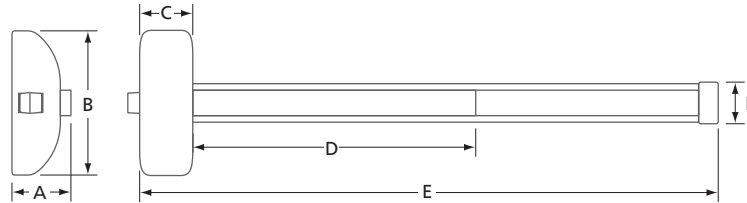
9500PR	3	–	28
MODEL <sup>1</sup>	SIZE <sup>1</sup>		FINISH

(1) SEE SELECTION GUIDE

## SELECTION GUIDE

MODEL		SIZE	DOOR WIDTH <sup>1</sup>	DOGGING	FINISH	/ CASE
9500PR	Panic Exit Hardware Rim device	3	30-38 (762-965)	●	28, 32D	4
		4	36-48 (914-1219)	●	28, 32D	4
9500FR	Fire Exit Hardware <sup>2</sup> Rim device	3	30-38 (762-965)	—	28, 32D	4
		4	36-48 (914-1219)	—	28, 32D	4

(1) RECOMMENDED DOOR WIDTH, IN (MM), FOR NON-STANDARD SIZES OR INSTALLATIONS PLEASE CONTACT. (2) FIRE EXIT HARDWARE MUST BE INSTALLED ON FIRE EXIT LABELLED DOORS.



MODEL	A	B	C	D	E <sup>1</sup>	F
9500PR3 / FR3	2 1/2 (64)	7 11/16 (196)	2 11/16 (68)	21 13/16 (554)	32 1/2 (825)	2 1/8 (54)
9500PR4 / FR4				27 1/2 (699)	44 1/2 (1130)	

IN (MM) (1) CAN BE CUT TO SIZE - SEE PRODUCT INSTALLATION INSTRUCTIONS FOR DETAILS

## PARTS & COMPONENTS

See 9500 Trims & Accessories for additional items.



**9500ACPR**  
Main chassis cover for 9500PR.

**9500ACFR**  
Main chassis cover for 9500FR.



**9500KB357**  
Sex nut thru-bolt kit (6) for 1 3/4" (45.5mm) thick doors. Included with 9500FR.

**9500KB363**  
Sex nut thru-bolt kit (6) for 2 1/4" (57mm) thick doors.



**9500KG401**  
Glass bead shim kit for main chassis and end bracket.



**9500AS200**  
Optional roller-type strike for 9500PR. Includes shim and mounting hardware.



**9500AS239**  
Standard strike for 9500PR. Includes shim and mounting hardware.



**9500AS245**  
Standard strike for 9500FR. Includes shim and mounting hardware.



**9500AS251**  
Overlapping strike for double doors with paired panic exit devices, includes mounting hardware. Requires door coordinator (sold separately).



- Certifications**
- Certified ANSI/BHMA A156.3, Grade 1
  - UL listed, Panic Exit
  - UL listed, up to 3hr Fire Exit
  - 5 Year limited warranty

- Rail Assembly**
- Steel rail assembly
  - Stainless steel assembly (32D finish)
  - Field sizable
  - Less Bottom Rod models available

- Handing**
- Handed, field reversible

- Door Size**
- 30–38x84" (762–965x2134 mm)
  - 36–48x96" (914–1219x2438 mm) – option
- See Selection Guide for details.*

- Door Thickness**
- 1 3/4" (45.5 mm)
  - 2 1/4" (57 mm) – option\*
- (\*) Requires #9500KB363, see Parts & Accessories*

- Stile Width**
- 4 1/2" (114 mm) minimum
- Measured from door edge*

- Projection**
- 2 1/2" (64 mm) from door surface

- Vertical Rods**
- for 84" (2134 mm) door
  - for 96" (2438 mm) door – option
  - for 126" (3200 mm) panic door – available

- Latches**
- Top: stainless steel, deadlocking
  - Bottom: stainless steel

- Strikes**
- 9500PV/PL Top: steel, standard type #9500AS227
  - 9500PV Bottom: steel, standard type #9500AS221
  - 9500FV/FL Top: steel, standard type #9500AS245
  - 9500FV Bottom: steel, standard type #9500AS233
- Other strikes available*

- Dogging**
- For Panic Exit models only
  - Hex key dogging
  - Cylinder dogging<sup>1</sup> – available
- (1) See 9500 Trims & Accessories*

- Mounting Hardware**
- Machine and wood screws
  - Sex nut & thru-bolts<sup>1</sup> – available
  - Glass bead shim kit – available
- (1) Required for non-reinforced hollow metal doors. Included with Fire Exit models*

- Electrical Options**
- Electronic latch retraction – option
  - Alarm kit – available\*
  - Request to exit – available\*
- (\*) Sold separately, see 9500 Trims & Accessories*

- Fire Latch**
- Auxiliary Fire Latch available, #9500AVFL
  - Included with 9500FL (Less Bottom Rod)

- Trims**
- Lever, knob, pull, plate, escutcheon and handleset trims available
- Sold separately, see 9500 Trims & Accessories*

- Finish**
- 19–Matte black, painted; 28–Aluminum, painted; 32D–Satin Stainless Steel
- Other finishes available by special order*

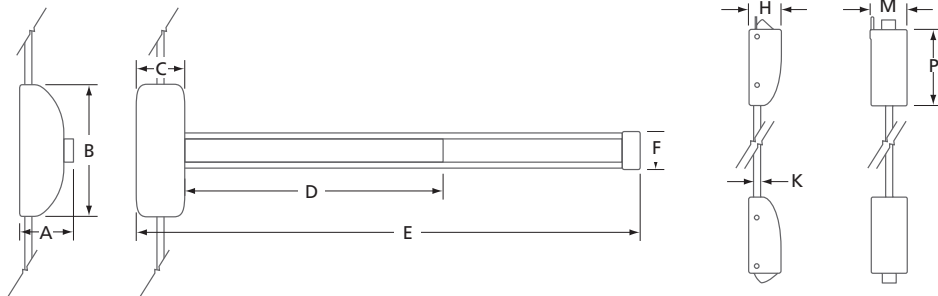
9500PV	37	LHR	–	28
MODEL <sup>1</sup>	SIZE <sup>1</sup>	HAND <sup>2</sup>		FINISH

(1) SEE SELECTION GUIDE (2) LHR–LEFT HAND REVERSED, RHR – RIGHT HAND REVERSED

## SELECTION GUIDE

MODEL		SIZE	DOOR SIZE <sup>1</sup>	DOGGING	FINISH	/ CASE
9500PV	Panic Exit Hardware Surface Vertical Rod	37	30–38x84 (965–914x2134)	●	28, 32D	4
		48	36–48x96 (914–1219x2438)	●	28, 32D	4
9500PL	Panic Exit Hardware Less Bottom Rod	37	30–38x84 (965–914x2134)	●	28, 32D	4
		48	36–48x96 (914–1219x2438)	●	28, 32D	4
9500FV	Fire Exit Hardware <sup>2</sup> Surface Vertical Rod	37	30–38x84 (965–914x2134)	—	28, 32D	4
		48	36–48x96 (914–1219x2438)	—	28, 32D	4
9500FL	Fire Exit Hardware <sup>2</sup> Less Bottom Rod	37	30–38x84 (965–914x2134)	—	28, 32D	4
		48	36–48x96 (914–1219x2438)	—	28, 32D	4

(1) RECOMMENDED DOOR SIZE, IN (MM), FOR NON-STANDARD SIZES OR INSTALLATIONS PLEASE CONTACT. (2) FIRE EXIT HARDWARE MUST BE INSTALLED ON FIRE EXIT LABELLED DOORS.



MODEL	A	B	C	D	E <sup>2</sup>	F	H	K	M	P
9500PV / PL <sup>1</sup> 37	2 1/2	7 11/16	2 11/16	21 19/16	32 1/2	2 1/8	2	∅ 1/2	2 1/8 (54)	3 15/16
9500FV / FL <sup>1</sup> 37	(64)	(196)	(68)	(554)	(825)	(54)	(51)	(12.7)	2 5/8 (67)	100
9500PV / PL <sup>1</sup> 48	2 1/2	7 11/16	2 11/16	27 1/2	44 1/2	2 1/8	2	∅ 1/2	2 1/8 (54)	3 15/16
9500FV / FL <sup>1</sup> 48	(64)	(196)	(68)	(699)	(1130)	(54)	(51)	(12.7)	2 5/8 (67)	100

IN(MM) (1) 9500PL/FL MODEL DOES NOT INCLUDE BOTTOM ROD AND BOTTOM LATCH (2) CAN BE CUT TO SIZE - SEE PRODUCT INSTALLATION INSTRUCTIONS

## PARTS & COMPONENTS

See 9500 Trims & Accessories for additional items.



9500ACPV  
Main chassis cover for 9500PV.



9500ACFV  
Main chassis cover for 9500FV / FL.

9500AVFB  
Bottom latch case for 9500FV.

9500AVFT  
Top latch case for 9500FV / FL

9500AVPB  
Bottom latch case for 9500PV.

9500AVPT  
Top latch case for 9500PV.



9500AT96  
Top rod for 96" (2438 mm) tall door.

9500AT126  
Top rod for non-fire 126" (3200 mm) tall door.

9500ABR  
Replacement bottom rod.

9500AG  
Replacement vertical rod guide.



9500KG406  
Glass bead shim kit for 9500PV exit device.

9500KG412  
Glass bead shim kit for 9500FV / FL exit device.



9500AS221  
Bottom strike for 9500PV exit device.



9500AS227  
Top strike for 9500PV exit device.



9500AS233  
Bottom strike for 9500FV. Includes mounting hardware. Included with 9500FV.



9500AS245  
Top strike for 9500FV / FL. Includes shim and mounting hardware.



9500AVFL  
Auxiliary fire latch. Includes mounting hardware. Included with 9500FL.

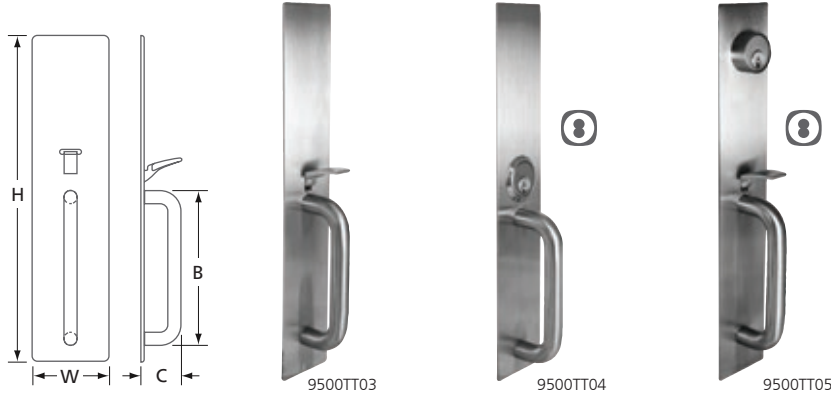


9500KB369  
Sex nut thru-bolt kit (14) for 1 3/4" (45.5 mm) thick doors. Included with 9500FV / FL.



9500KB375  
Sex nut thru-bolt kit (14) for 2 1/4" (57 mm) thick doors.

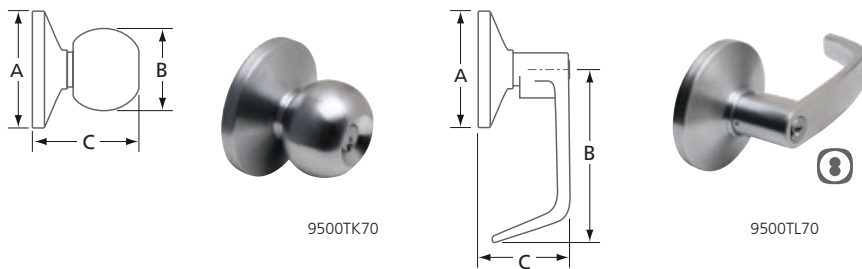
### 9500TT HANDLESET TRIM



Model	9500TT03	9500TT04	9500TT05
Function	Passage (#3)	Storeroom (#4) ←	Entrance (#5) ←
Finish	28, 32D	28, 32D	28, 32D
Cylinder <sup>1</sup>	—	Rim <sup>2</sup>	Mortise <sup>2</sup>
Plate (HxW)	14 1/2 x 2 5/8 (368 x 67)	14 1/2 x 2 5/8 (368 x 67)	14 1/2 x 2 5/8 (368 x 67)
Pull (B)	6 1/8 (156)	6 1/8 (156)	6 1/8 (156)
Projection (C)	2 1/8 (54)	2 1/8 (54)	2 1/8 (54)
Door Thickness	1 3/4 (44.5)*	1 3/4 (44.5)*	1 3/4 (44.5)*
Warranty	1 Year limited	1 Year limited	1 Year limited

IN (MM) (1) SOLID BRASS, 6-PIN CYLINDER, SCHLAGE "C", 2 KEYS INCLUDED – KEYING SERVICES AVAILABLE (2) SFIC MODEL AVAILABLE, CORE SOLD SEPARATELY  
 (\*) 2 1/4IN (57MM) DOOR KIT AVAILABLE #9500KE225-TT

### 9500TK/TL TRIM STYLES



Trim	9500TK	9500TL
Available Functions <sup>1</sup>	10 Passage 70 Classroom ← 80 Storeroom ←	10 Passage 70 Classroom ← <sup>2</sup> 80 Storeroom ← <sup>2</sup>
Finish	26D	26D
Rose (A)	3 3/8 (86)	3 3/8 (86)
Length (B)	ø 2 1/4 (57)	4 7/16 (113)
Projection (C)	2 3/4 (70)	2 9/16 (65)
Door Thickness	1 3/4 (44.5)	1 3/4 (44.5)
Warranty	1 Year limited	1 Year limited

IN (MM) (1) KEYED FUNCTIONS INCLUDE: SOLID BRASS, 6-PIN CYLINDER, SCHLAGE "C", 2 KEYS – KEYING SERVICES AVAILABLE (2) SFIC MODEL AVAILABLE, CORE SOLD SEPARATELY

# 9500 SERIES

## EXIT DEVICE TRIMS & ACCESSORIES

DOREX®

### 9500TE ESCUTCHEON TRIM



Model	9500TE10	9500TE70	9500TE80
Function	Passage	Classroom	Storeroom
Finish	26D, 28	26D, 28	26D, 28
Lever	Straight return	Straight return	Straight return
Cylinder <sup>1</sup>	—	Mortise <sup>2</sup>	Mortise <sup>2</sup>
Escutcheon (H x W)	8 3/16 x 2 1/2 (224 x 64)	8 3/16 x 2 1/2 (224 x 64)	8 3/16 x 2 1/2 (224 x 64)
Lever (B)	4 5/8 (118)	4 5/8 (118)	4 5/8 (118)
Projection (C)	2 3/8 (60)	2 3/8 (60)	2 3/8 (60)
Door Thickness	1 3/4 (44.5)*	1 3/4 (44.5)*	1 3/4 (44.5)*
Warranty	1 Year limited	1 Year limited	1 Year limited

IN (MM) (1) SOLID BRASS, 6-PIN CYLINDER, SCHLAGE "C", 2 KEYS INCLUDED – KEYING SERVICES AVAILABLE (2) SFIC MODEL AVAILABLE, CORE SOLD SEPARATELY  
 (\*) 2 1/4IN (57 MM) DOOR KIT AVAILABLE #9500KE225-TE

### PULLS & PLATES



Trim	9500TPEP	9500TPDT	9500TPNL
Finish	28-Aluminum, painted	28-Aluminum, painted	28-Aluminum, painted
Function	Blank plate (#1)	Dummy pull (#2)	Night latch (#4) ➔
Cylinder	—	—	Rim <sup>1</sup>
Projection (B)	—	1¼(32)	1¼(32)
Plate (HxW)	5½x3 (144x76)	7½x3 (198x76)	7½x3 (198x76)
Door Thickness	1¾ (44.5)	1¾ (44.5)	1¾ (44.5)

IN (MM) (1) SOLID BRASS, 6-PIN CYLINDER, SCHLAGE "C", 2 KEYS INCLUDED – KEYING SERVICES AVAILABLE; SFIC MODEL AVAILABLE, CORE SOLD SEPARATELY

9500KB363

### OTHER ACCESSORIES



**9500KA**  
Push pad alarm kit for 9500 exit devices.  
#9500KA36 for 36" (914mm) models.  
#9500KA48 for 48" (1219mm) models.



**9500KD**  
Cylinder dogging kit for 9500 Panic Exit devices only.  
#9500KD36 for size 36" (914mm) models.  
#9500KD48 for size 48" (1219mm) models.



**9500KSRX**  
Push pad request to exit switch kit.  
*Requires rail modification—please contact.*

**9500KE225-TE**  
9500TE Extension kit for 2¼" (57mm) door  
**9500KE225-TT**  
9500TT Extension kit for 2¼" (57mm) door







- Certifications**
- Conforms to ANSI/BHMA A156.3, Grade 2
  - UL listed, Panic Exit
  - UL listed, up to 90 min. Fire Exit
  - 1 Year limited warranty

- Rail Assembly**
- Steel rail assembly
  - Stainless steel assembly (32D finish)
  - Field sizable

- Handing**
- Non-handed

- Door Width**
- 28–38" (711–965 mm)
  - 36–48" (914–1219 mm)\* – option
- (\*) Panic Exit models only

- Door Thickness**
- 1 3/4" (45.5 mm)

- Stile Width**
- 4" (106.1 mm) minimum
- Measured from door edge

- Projection**
- 2 9/16" (65 mm) from door surface

- Latchbolt**
- Stainless steel, 3/4" (19 mm) throw
  - Deadlatch

- Strike**
- Cast iron, standard type #8000S
- Other strikes available

- Dogging**
- For Panic Exit models only
  - Hex key dogging

- Hardware**
- Machine and wood screws
  - Sex nuts & thru-bolts<sup>1</sup> – available

(1) Required for non-reinforced hollow metal doors, included with Fire Exit models

**Electrical Options**

- Trims**
- Lever, knob, pull, and handleset trims available
- Sold separately, see 8500 Trims & Accessories

- Finish**
- 28–Aluminum, painted; 3–Polished brass; 32D–Satin stainless steel
- Other finishes available by special order

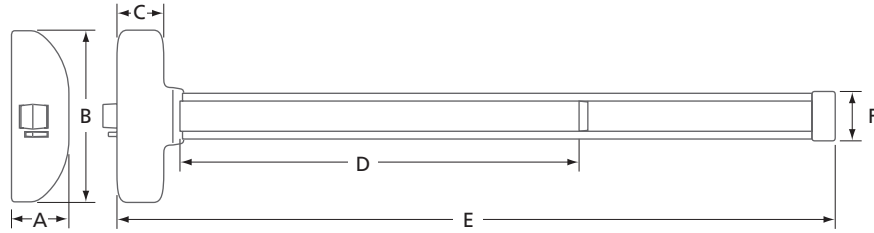
8500	–	32D	48
MODEL <sup>1</sup>		FINISH	OPTION

(1) SEE SELECTION GUIDE (2) OPTION: 48 –FOR DOORS 36-48X96IN (914-1219X2438MM)

## SELECTION GUIDE

MODEL		DOOR WIDTH <sup>1</sup>	DOGGING	FINISH	/CASE
8500	Panic Exit Hardware, Rim device	28–38 (711–965)	•	28, 3, 32D	4
8500 -48		36–48 (914–1219)	•	28, 32D	4
8500F	Fire Exit Hardware <sup>2</sup> Rim device	28–38 (711–965x2134)	—	28, 3, 32D	4

(1) RECOMMENDED DOOR WIDTH, IN (MM), FOR NON-STANDARD SIZES OR INSTALLATIONS PLEASE CONTACT. (2) FIRE EXIT HARDWARE MUST BE INSTALLED ON FIRE EXIT LABELLED DOORS.



MODEL	A	B	C	D	E <sup>1</sup>	F
8500 / 8500F	2 <sup>9</sup> / <sub>16</sub> (65)	7 <sup>11</sup> / <sub>16</sub> (195)	2 (50.8)	20 <sup>1</sup> / <sub>4</sub> (514)	33 <sup>1</sup> / <sub>4</sub> (845)	1 <sup>15</sup> / <sub>16</sub> (50)
8500 -48				30 (762)	45 <sup>5</sup> / <sub>16</sub> (1150)	

IN (MM) (1) CAN BE CUT TO SIZE - SEE PRODUCT INSTALLATION INSTRUCTIONS

## PARTS & COMPONENTS

See 8500 Trims & Accessories for additional items.



**8000S**  
Regular <sup>12</sup>/<sub>32</sub>" (16.5 mm) cast iron strike for panic rim device. Included with 8500.

**8000S-L**  
Low-profile <sup>15</sup>/<sub>32</sub>" (12 mm) cast iron strike for panic rim device. Includes <sup>5</sup>/<sub>64</sub>" (2 mm) shims.



**8000DDS**  
Overlapping cast iron strike for double doors and paired panic exit devices only.



- Certifications**
- Conforms to ANSI/BHMA A156.3, Grade 2
  - UL listed, Panic Exit
  - UL listed, up to 90 min. Fire Exit
  - 1 Year limited warranty
- Rail Assembly**
- Steel rail assembly
  - Stainless steel assembly (32D finish)
  - Field sizable
- Handing**
- Non-handed
- Door Size**
- 30–38 x 84" (762–965 x 2134 mm)
  - 36–48 x 96" (914–1219 x 2438 mm)\* – option
- (\*) Panic Exit model only*
- Door Thickness**
- 1 3/4" (45.5 mm)
- Stile Width**
- 4" (106.1 mm) minimum
- Measured from door edge*
- Projection**
- 2 9/16" (65 mm) from door surface
- Vertical Rods**
- For 7' (2134 mm) doors
  - For 9' (2438 mm) door – available\*
- (\*) Panic Exit model only*

- Latchbolts**
- Top: stainless steel, deadlatch
  - Bottom: stainless steel

- Strikes**
- Top: steel, standard type
  - Bottom: steel, standard type

- Dogging**
- For Panic Exit models only
  - Hex key dogging

- Hardware**
- Machine and wood screws
  - Sex nut & thru-bolts<sup>1</sup> – available

*(1) Required for non-reinforced hollow metal doors, included with Fire Exit models*

- Electrical** —
- Options**

- Trims**
- Lever, knob, pull, and handleset trims available
- Sold separately, see 8500 Trims & Accessories*

- Finish**
- 28–Aluminum; 3–Polished brass; 32D–Satin stainless steel
- Other finishes available by special order*

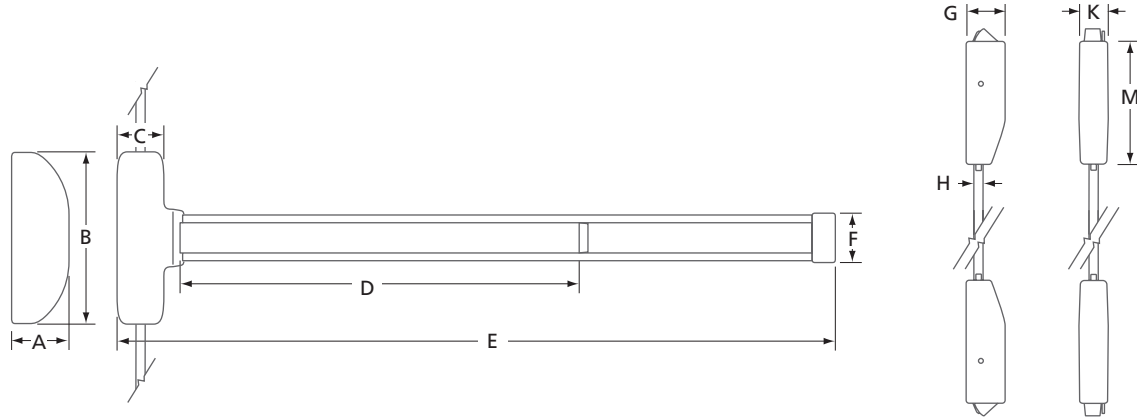
8500V	32D	–	48
MODEL <sup>1</sup>	FINISH		OPTION

(1) SEE SELECTION GUIDE (2) OPTION: 48 –FOR DOORS 36-48X96IN (914-1219X2438MM)

## SELECTION GUIDE

MODEL		DOOR SIZE <sup>1</sup>	DOGGING	FINISH	/CASE
8500V	Panic Exit Hardware, surface vertical rod	30-38x84 (762-965x2134)	•	28, 32D	4
8500V -48		36-48x96 (914-1219x2438)	•	28, 32D	4
8500VF	Fire Exit Hardware <sup>2</sup> , surface vertical rod	30-38x84 (762-965x2134)	—	28, 3, 32D	4

(1) RECOMMENDED DOOR SIZE, IN (MM), FOR NON-STANDARD SIZES OR INSTALLATIONS PLEASE CONTACT. (2) FIRE EXIT HARDWARE MUST BE INSTALLED ON FIRE EXIT LABELLED DOORS.



MODEL	A	B	C	D	E <sup>1</sup>	F	G	H	K	M
8500V / 8500VF	2 <sup>9</sup> / <sub>16</sub> (65)	7 <sup>11</sup> / <sub>16</sub> (195)	2 (50.8)	20 <sup>1</sup> / <sub>4</sub> (514)	33 <sup>1</sup> / <sub>4</sub> (845)	1 <sup>15</sup> / <sub>16</sub> (50)	2 (50.8)	∅ <sup>3</sup> / <sub>8</sub> (10)	1 <sup>3</sup> / <sub>8</sub> (35)	5 <sup>7</sup> / <sub>8</sub> (149)
8500V -48				30 (762)	45 <sup>5</sup> / <sub>16</sub> (1150)					

IN (MM) (1) CAN BE CUT TO SIZE - SEE PRODUCT INSTALLATION INSTRUCTIONS

## PARTS & COMPONENTS

See 8500 Trims & Accessories for additional items.



**8000EXT96**  
Extension rod for 96" (2438 mm) Doors.  
For #8500V Panic Exit model only.

### 8500TT HANDLESET TRIMS



MODEL	8503	8504	8505
Finish	28–Aluminum	28–Aluminum	28–Aluminum
Function	Passage (#3)	Storeroom (#4) 🔑	Entrance (#5) 🔑
Cylinder <sup>1</sup>	—	Threaded rim (Weiser)	Rim (Schlage C)
Projection (B)	1 13/16 (46)	1 13/16 (46)	1 13/16 (46)
Plate (HxW)	12 1/4 x 3 (311 x 76)	12 1/4 x 3 (311 x 76)	12 1/4 x 3 (311 x 76)
Pull (C)	5 5/16 (151)	5 5/16 (151)	5 5/16 (151)
Door Thickness	1 3/4 (44.5)	1 3/4 (44.5)	1 3/4 (44.5)
Warranty	1 Year limited	1 Year limited	1 Year limited

IN (MM) (1) SOLID BRASS, 6-PIN CYLINDER, 2 KEYS INCLUDED – KEYING SERVICES AVAILABLE

### 8500 LEVER & KNOB TRIMS



MODEL	8500FC	8500FH	8500FS	8500B
Available Functions <sup>1</sup>	10 Passage 70 Classroom 🔑 80 Storeroom 🔑	10 Passage 70 Classroom 🔑 80 Storeroom 🔑	10 Passage 70 Classroom 🔑 80 Storeroom 🔑	10 Passage 70 Classroom 🔑 80 Storeroom 🔑
ALL LEVERS HAVE CLUTCH RELEASE.				
Finish	26D–Satin Chrome, 3–Polished brass	26D–Satin Chrome	26D–Satin Chrome	32D–Satin stainless steel
A	ø 3 1/16 (78)	ø 3 1/16 (78)	ø 3 1/16 (78)	ø 3 1/16 (78)
B	4 5/8 (117)	4 5/8 (117)	4 5/8 (117)	ø 2 3/16 (55)
C	2 (50.8)	2 (50.8)	5/8 (16)	2 15/16 (75)
D	1 1/16 (17)	1 1/16 (17)	2 1/8 (54)	—
Door Thickness	1 3/4 (44.5)	1 3/4 (44.5)	1 3/4 (44.5)	1 3/4 (44.5)
Warranty	1 Year limited	1 Year limited	1 Year limited	1 Year limited

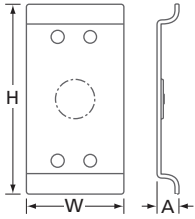
IN (MM) (1) KEYED FUNCTIONS INCLUDE SOLID BRASS, 6-PIN CYLINDER, SCHLAGE C CYLINDER, 2 KEYS - KEYING SERVICES AVAILABLE.

# 8500 SERIES

## EXIT DEVICE TRIMS & ACCESSORIES

DOREX®

### PULLS & PLATES



MODEL	8000NLS	8000DT	8000NL
Finish	Stainless Steel	Aluminum, painted	Aluminum, painted
Function	Night latch (#4)	Dummy pull (#2)	Night latch (#4)
Cylinder <sup>1</sup>	—	—	—
Projection (A)	13/16 (21)	1 3/16 (30)	1 3/16 (30)
Plate (HxW)	3 x 1 3/4 (36x44.5)	6 3/8 x 3 1/2 (162x89)	6 3/8 x 3 1/2 (162x89)

IN(MM) (1) RIM CYLINDER NOT INCLUDED, SOLD SEPARATELY

### OTHER ACCESSORIES



**8000ASAB**  
ASA strike filler plate.  
**8000BS**  
ASA strike and latch faceplate filler plates.



**9500KTRC**  
Rim cylinder mounting kit.



**8000EOP**  
Cross bore cover plate, painted steel

# 6500PR/FR SERIES

RIM EXIT DEVICE



- Certifications**
- Conforms to ANSI/BHMA A156.3, Grade 2
  - UL listed, Panic Exit
  - UL listed, up to 3hr Fire Exit
  - 1 Year limited warranty

- Rail Assembly**
- Stainless steel or steel rail assembly
  - Field sizable

- Handing**
- Non handed

- Door Width**
- 30–36" (762–914 mm)
  - 36–48" (914–1219 mm) – option

- Door Thickness**
- 1 3/4" (45 mm)

- Stile Width**
- 4 1/2" (114 mm) minimum
- Measured from door edge*

- Projection**
- 2 1/2" (64 mm) from door surface

- Latchbolt**
- Stainless steel, deadlocking

- Strike**
- 6500PR: Steel, standard type
  - 6500FR: Steel, standard type #6500AS255
- Other strikes available*

- Dogging**
- For Panic Exit models only
  - Hex key dogging

- Hardware**
- Machine and wood screws
  - Sex nut & thru-bolts<sup>1</sup> – available
- (1) Included with 6500FR. Required for non-reinforced hollow metal doors.*

- Electrical**
- Alarm kit – available
- Options** *Sold separately, see 6500 Trims & Accessories*

- Trims**
- Compatible with DOREX 9500TK/TL and 9500TT exterior trims – sold separately
- See DOREX 9500 Trims & Accessories*
- Pull trims available – sold separately
- See 6500 Trims & Accessories*

- Finish**
- 20D–Dark bronze; 28–Aluminum, painted; 32D–Satin stainless steel
- Other finishes available by special order*

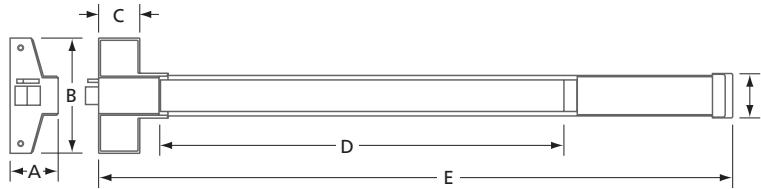
6500PR	3	–	28
MODEL <sup>1</sup>	SIZE <sup>1</sup>		FINISH

(1) SEE SELECTION GUIDE

## SELECTION GUIDE

MODEL		SIZE	DOOR SIZE <sup>1</sup>	DOGGING	FINISH	/ CASE
6500PR	Panic Hardware Rim Exit Device	3	30-36x84 (762-914x2134)	●	20D, 28, 32D	4
		4	36-48x96 (914-1219x2438)	●	28, 32D	4
6500FR	Fire Hardware <sup>2</sup> Rim Exit Device	3	30-36x84 (762-914x2134)	—	28, 32D	4
		4	36-48x96 (914-1219x2438)	—	28, 32D	4

(1) RECOMMENDED DOOR SIZE (IN-MM), FOR NON-STANDARD SIZES OR INSTALLATIONS PLEASE CONTACT. (2) FIRE EXIT HARDWARE MUST BE INSTALLED ON FIRE EXIT LABELLED DOORS.



MODEL	A	B	C	D	E <sup>1</sup>	F
6500PR3 / FR3	2 1/2 (64)	6 1/16 (154)	2 3/16 (55)	21 1/8 (537)	33 (838)	2 5/16 (59)
6500PR4 / FR4					45 1/16 (1145)	

IN (MM) (1) CAN BE CUT TO SIZE - SEE PRODUCT INSTALLATION INSTRUCTIONS

## PARTS & COMPONENTS

See 6500 Trims & Accessories for additional items.



**6500AS255**  
Strike for fire rim exit device or top strike for fire vertical device. Includes shim, wood and machine screws.



**6500AS251**  
Overlapping strike for double doors and paired panic exit devices only. Requires door coordinator (sold separately).



# 6500PV/FV/FL SERIES

## SURFACE VERTICAL ROD EXIT DEVICE



- Certifications**
- Conforms to ANSI/BHMA A156.3, Grade 2
  - UL listed, Panic Exit
  - UL listed, up to 3hr Fire Exit
  - 1 Year limited warranty

- Chassis**
- Stainless steel or steel rail assembly
  - Field sizable

- Handing**
- Handed

- Door Width**
- 30–36x84" (762–914x2134mm)
  - 36–48x84" (914–1219x2134mm) – option

- Door Thickness**
- 1¾" (45mm)

- Stile Width**
- 4½" (114mm) minimum
- Measured from door edge*

- Projection**
- 2½" (64mm) from door surface

- Vertical Rods**
- for 84" (2134mm) tall doors

- Latchbolt**
- Top: stainless steel, deadlocking
  - Bottom: stainless steel

- Strike**
- 6500PV : steel, standard type
  - 6500FV/FL Top: steel, standard type #6500AS255
  - 9600FV Bottom: steel, standard type #6500AS255

- Dogging**
- For Panic Exit models only
  - Hex key dogging

- Hardware**
- Machine and wood screws
  - Sex nut & thru-bolts<sup>1</sup> – available
- (1) Included with 6500FV. Required for non-reinforced hollow metal doors.*

- Electrical**
- Alarm kit – available

- Options**
- Sold separately, see 6500 Trims & Accessories*

- Trims**
- Compatible with DOREX 9500TK/TL and 9500TT exterior trims – sold separately
  - See DOREX 9500 Trims & Accessories
  - Pull trims available – sold separately
  - See 6500 Trims & Accessories

- Finish**
- 20D–Dark bronze; 28–Aluminum, painted;  
32D–Satin stainless steel
- Other finishes available by special order*

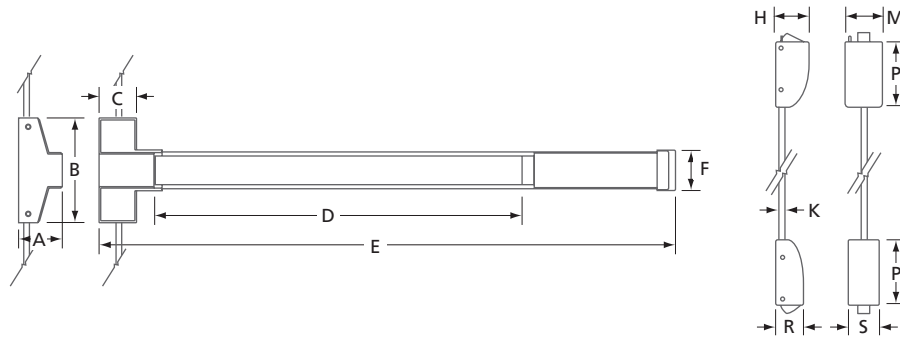
6500PV	37	LHR	–	28
MODEL <sup>1</sup>	SIZE <sup>1</sup>	HAND <sup>2</sup>		FINISH

(1) SEE SELECTION GUIDE (2) LHR–LEFT HAND REVERSED, RHR – RIGHT HAND REVERSED

## SELECTION GUIDE

MODEL		SIZE	DOOR SIZE <sup>1</sup>	DOGGING	FINISH	/ CASE
9500PV	Panic Exit Hardware Surface Vertical Rod	37	30-36x84 (762-914x2134)	●	20D, 28, 32D	4
		48	36-48x96 (914-1219x2438)	●	28, 32D	4
9500FV	Fire Exit Hardware <sup>2</sup> Surface Vertical Rod	37	30-36x84 (762-914x2134)	—	28, 32D	4
		48	36-48x96 (914-1219x2438)	—	28	4
9500FL	Fire Exit Hardware <sup>2</sup> Less Bottom Rod	37	30-36x84 (762-914x2134)	—	28	4

(1) RECOMMENDED DOOR SIZE (IN-MM), FOR NON-STANDARD SIZES OR INSTALLATIONS PLEASE CONTACT. (2) FIRE EXIT HARDWARE MUST BE INSTALLED ON FIRE EXIT LABELLED DOORS.



MODEL	A	B	C	D	E <sup>2</sup>	F	H	K	M	P	R	S
6500PV/FV/FL <sup>1</sup> 37	2 1/2 (64)	6 1/16 (154)	2 3/16 (55)	21 1/8 (537)	33 (838)	2 5/16 (59)	2 1/16 (52.4)	∅12.7 (1/2)	2 5/8 (67)	3 15/16 (100)	1 21/32 (42)	2 1/8 (54)
6500PV/FV 48					45 1/16 (1145)							

IN(MM) (1) FL MODEL DOES NOT INCLUDE BOTTOM ROD AND LATCH (2) CAN BE CUT TO SIZE - SEE PRODUCT INSTALLATION INSTRUCTIONS

## PARTS & COMPONENTS

See 6500 Trims & Accessories for additional items.



**6500AS255**  
Strike for fire rim exit device or top strike for fire vertical device. Includes shim, wood and machine screws.

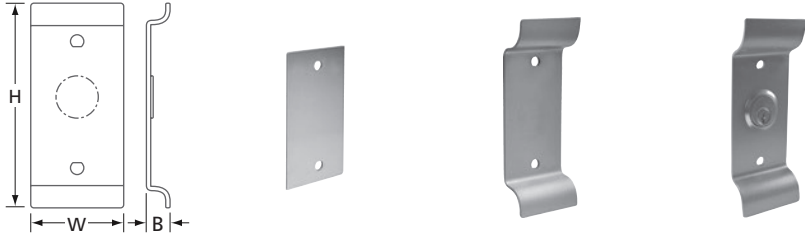


**6500AS251**  
Overlapping strike for double doors and paired panic exit devices only. Requires door coordinator (sold separately).

# 6500 SERIES

## TRIMS & ACCESSORIES

### PULLS & PLATES



Trim	6500TPEP	6500TPDT	6500TPNL
Finish	28	28	28
Function	Blank plate (#1)	Dummy pull (#2)	Night latch (#4)
Cylinder	—	—	Rim Mortise <sup>1</sup>
Projection (B)	—	1¼ (32)	1¼ (32)
Plate (HxW)	5 <sup>1</sup> / <sub>16</sub> x3 (144x76)	7 <sup>19</sup> / <sub>16</sub> x3 (198x76)	7 <sup>19</sup> / <sub>16</sub> x3 (198x76)
Warranty	1 Year limited	1 Year limited	1 Year limited

IN (MM) (1) INCLUDES SOLID BRASS, 6-PIN CYLINDER, SCHLAGE C

### OTHER ACCESSORIES



**6500KA36**  
Alarm kit for 6500 size 3 exit device.



# 2295 SERIES

## NARROW STILE EXIT DEVICE



**Certifications** • UL listed, Panic Exit  
• 1 Year limited warranty

**Rail Assembly** • High strength aluminum  
• Field sizable

**Handing** • Non-handed

**Door Width** • 30–38" (762–965 mm)  
• 36–44" (914–1118 mm) –option

**Door Thickness** • 1 3/4" (45.5 mm)  
*Recommended for aluminum doors*

**Stile Width** • 1 3/4" (44.5 mm) minimum  
*Measured from door edge*

**Projection** • 2 1/16" (67 mm) from door surface

**Latchbolt** • Stainless steel

**Strike** • Steel, roller strike #2295S

**Dogging** • Hex key dogging

**Hardware** • Machine screws

**Trims** • Escutcheon trim – available  
*Sold separately, see 2295TE*

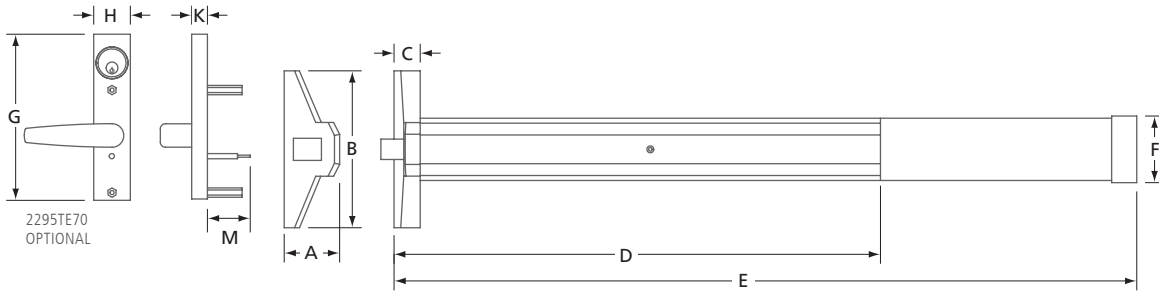
**Finish** 20D–Dark bronze; 28–Aluminum  
*Other finishes available by special order*

2295PR	3	–	28
MODEL	SIZE		FINISH

## SELECTION GUIDE

MODEL	SIZE	DOOR WIDTH <sup>1</sup>	DOGGING	FINISH	/CASE	
2295PR	Panic Exit Hardware Rim Device	3	30-38 (762-965)	●	20D, 28	4
		4	36-44 (914-1118)			

(1) RECOMMENDED DOOR WIDTH, IN (MM), FOR NON-STANDARD SIZES OR INSTALLATIONS PLEASE CONTACT.



MODEL	A	B	C	D	E <sup>1</sup>	F	G	H	K	M
2295PR3	2 11/16 (67)	7 1/2 (191)	1 1/4 (32)	23 1/4 (591)	35 1/2 (902)	3 3/16 (81)	7 15/16 (201.6)	1 3/4 (44)	3/4 (19)	2 1/16 (52)
2295PR4					41 1/2 (1054)					

IN (MM) (1) CAN BE CUT TO SIZE - SEE PRODUCT INSTALLATION INSTRUCTIONS

## 2295TE ESCUTCHEON TRIM



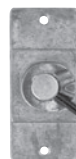
Trim	2295TE70
Function	Entrance/Classroom
Finish	20D-Dark bronze, 28-Aluminum
Lever	Straight, no return
Cylinder <sup>1</sup>	1 1/4 (32) mortise
Door Thickness	1 3/4 (44.5)
Warranty	1 Year limited

IN (MM) (1) SOLID BRASS, 6-PIN CYLINDER, SCHLAGE "C", 2 KEYS INCLUDED - KEYING SERVICES AVAILABLE

## PARTS & COMPONENTS



2295S  
Standard roller strike.



2295AD  
Dogging mechanism.

# 1400 SERIES

## NARROW STILE EXIT DEVICE



- |   |  |
|---|--|
| <p><b>Certifications</b></p> <ul style="list-style-type: none"> <li>UL listed, Panic Exit</li> <li>1 Year limited warranty</li> </ul> <p><b>Rail Assembly</b></p> <ul style="list-style-type: none"> <li>High strength aluminum extrusion</li> <li>Field sizable</li> </ul> <p><b>Handing</b></p> <ul style="list-style-type: none"> <li>1400PR: Handed (field reversible)</li> <li>1400PV: Non handed</li> </ul> <p><b>Door Size</b></p> <ul style="list-style-type: none"> <li>30-36x84" (762-914x2134 mm)</li> <li>36-42x84" (914-1067x2134 mm) – option</li> </ul> <p><b>Door Thickness</b></p> <ul style="list-style-type: none"> <li>1¾" (45 mm)</li> <li>2" (51 mm) and 2¼" (57 mm) – available</li> </ul> <p><i>Recommended for aluminum doors</i></p> <p><b>Stile Width</b></p> <ul style="list-style-type: none"> <li>1¾" (44.5 mm) minimum</li> </ul> <p><i>Measured from door edge</i></p> <p><b>Projection</b></p> <ul style="list-style-type: none"> <li>2¾" (70 mm) from door surface</li> </ul> <p><b>Lock Case</b></p> <ul style="list-style-type: none"> <li>Heavy duty steel deadlatch mortise lock</li> <li>Adjustable mounting posts</li> <li>1⅞" (28.6 mm) backset</li> <li>Anodized aluminum flat faceplate</li> </ul> | <p><b>Cylinder</b></p> <ul style="list-style-type: none"> <li>Not included, sold separately</li> </ul> <p><b>Latchbolts</b></p> <ul style="list-style-type: none"> <li>1400PR: Stainless steel deadlatch</li> <li>1400PV: Stainless steel top &amp; bottom latches</li> </ul> <p><b>Vertical Rods</b></p> <ul style="list-style-type: none"> <li>For 84" (2134 mm) door</li> </ul> <p><i>1400PV36 concealed vertical rod model only</i></p> <p><b>Dogging</b></p> <ul style="list-style-type: none"> <li>Hex key dogging</li> </ul> <p><b>Hardware</b></p> <ul style="list-style-type: none"> <li>Machine screws</li> </ul> <p><b>Electrical Options</b></p> <ul style="list-style-type: none"> <li>Request to exit – available</li> </ul> <p><b>Finish</b></p> <ul style="list-style-type: none"> <li>20D–Dark bronze; 28–Aluminum</li> </ul> <p><i>Other finishes available by special order</i></p> |
|---|--|

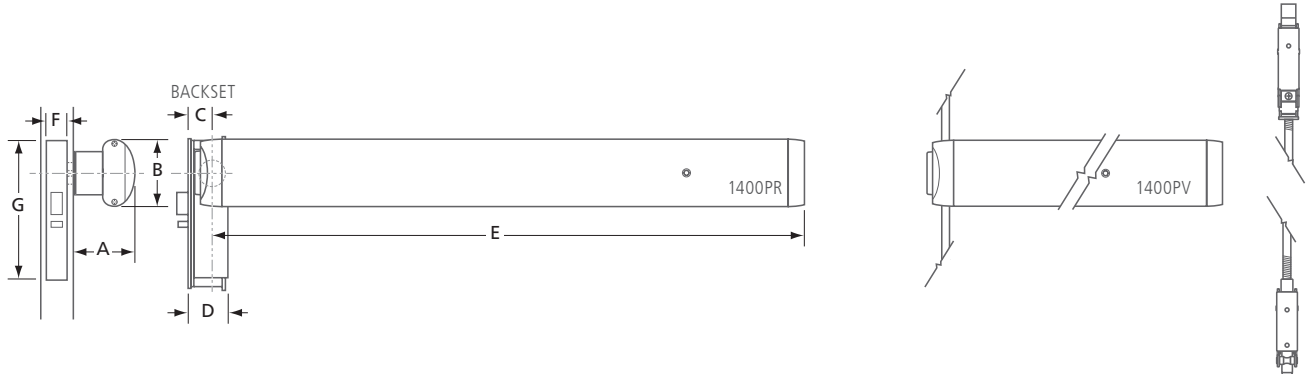
1400PR	36	LHR	–	28
MODEL <sup>1</sup>	SIZE <sup>1</sup>	HAND <sup>2</sup>		FINISH

(1) SEE SELECTION GUIDE (2) FOR 1400PR INDICATE: LHR–LEFT HAND REVERSED, RHR – RIGHT HAND REVERSED; OMIT FOR 1400PV

## SELECTION GUIDE

MODEL		SIZE	DOOR SIZE <sup>1</sup>	DOGGING	FINISH	/CASE
1400PR	Panic Exit Hardware Mortise Rim. Indicate required handing.	36	30-36x84 (762-914x2134)	•	20D, 28	6
		42	36-42x84 (914-1067x2134)	•	20D, 28	6
1400PV	Panic Exit Hardware Concealed Vertical Rod. Non-handed.	36	30-36x84 (762-914x2134)	•	20D, 28	6

(1) RECOMMENDED DOOR SIZE, IN (MM), FOR NON-STANDARD SIZES OR INSTALLATIONS PLEASE CONTACT.



MODEL	A	B	C	D	E <sup>1</sup>	F	G
1400PR/PV 36	2 <sup>3</sup> / <sub>4</sub> (70)	3 <sup>1</sup> / <sub>16</sub> (78)	1 <sup>1</sup> / <sub>8</sub> (28.6)	1 <sup>3</sup> / <sub>4</sub> (44.5)	33 <sup>7</sup> / <sub>8</sub> (860)	1 (25.4)	6 <sup>3</sup> / <sub>4</sub> (171)
1400PR 42					39 <sup>7</sup> / <sub>8</sub> (1013)		

IN(MM) (1) CAN BE CUT TO SIZE - SEE PRODUCT INSTALLATION INSTRUCTIONS

## PARTS & ACCESSORIES



**CBM118A**  
Mortise cylinder, 1<sup>1</sup>/<sub>8</sub>" (28.6 mm) long,  
with cam A.



**CMCAMA**  
Adams Rite-type cam.



**1400ARCAM**  
1400AR exit device cam.



**1400KVE-28**  
Mortise cylinder escutcheon mount.  
Aluminum (-AL) or Dark bronze (-DU) finish.



**1400KRDT200**  
Extension kit for 2" (51 mm) thick doors.  
Includes <sup>9</sup>/<sub>32</sub>" (4 mm) spindle extension.  
For 1400PR only.

**1400KRDT225**  
Extension kit for 2<sup>1</sup>/<sub>4</sub>" (57 mm) thick doors.  
Includes <sup>1</sup>/<sub>4</sub>" (6 mm) spindle extension.  
For 1400PR only.





LEFT HAND REVERSE MODEL SHOWN

- Certifications**
- Conforms to ANSI/BHMA A156.3, Grade 2
  - UL listed, Panic Exit
  - 1 Year limited warranty

**Handing** • Handed, reversible

**Door Thickness** • 1 3/4" (45.5 mm)

**Stile Width** • 3" (76 mm) minimum  
*Measured from door edge*

**Projection** • 4 3/4" (121 mm) from door surface

**Latchbolt** • Solid brass, 3/4" (19 mm)

**Crossbar**

- Field sizable
- 38" (965 mm) steel tube
- 48" (1219 mm) steel tube – available

**Strike** • Steel, standard type (NHST10)

**Dogging** • Hex key dogging

**Hardware** • Machine screws

**Functions**

- 1 Exit only, no trim
- 3 Passage, handleset trim – included
- 4 Night latch, pull trim – included\*
- 5 Entrance, handleset trim – included\*

(\* ) Keyed functions use standard rim cylinder, sold separately

**Finish** Aluminum

*Other finishes available by special order*

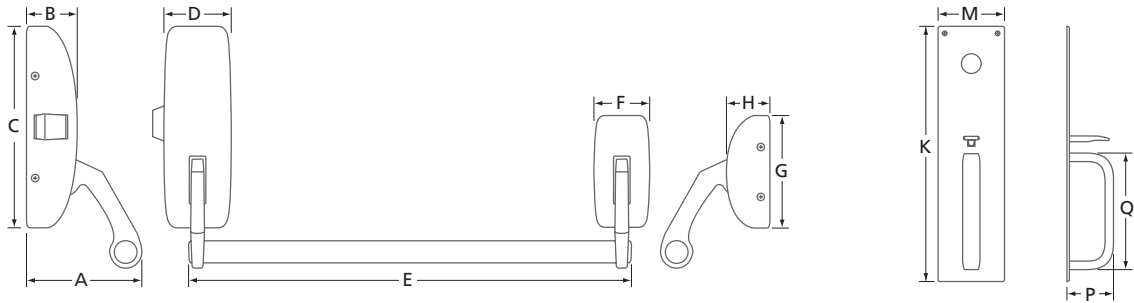
NH900	-3
MODEL	FUNCTION <sup>1</sup>

(1) SEE SELECTION GUIDE FOR DETAILS \*\*PLEASE INDICATE REQUIRED HANDING WHEN ORDERING

## SELECTION GUIDE

MODEL	FUNCTION	DOGGING	FINISH	/CASE	
NH900-1	Exit only, no exterior trim	#1	●	Aluminum	12
NH900-3	Passage, pull trim, latch always free	#3	●	Aluminum	6
NH900-4	Nightlatch, pull trim, latch activated by exterior rim cylinder, always locked*	#4	●	Aluminum	6
NH900-5	Entrance, handleset trim, latch activated by exterior thumb piece, except when locked by exterior cylinder*	#5	●	Aluminum	6

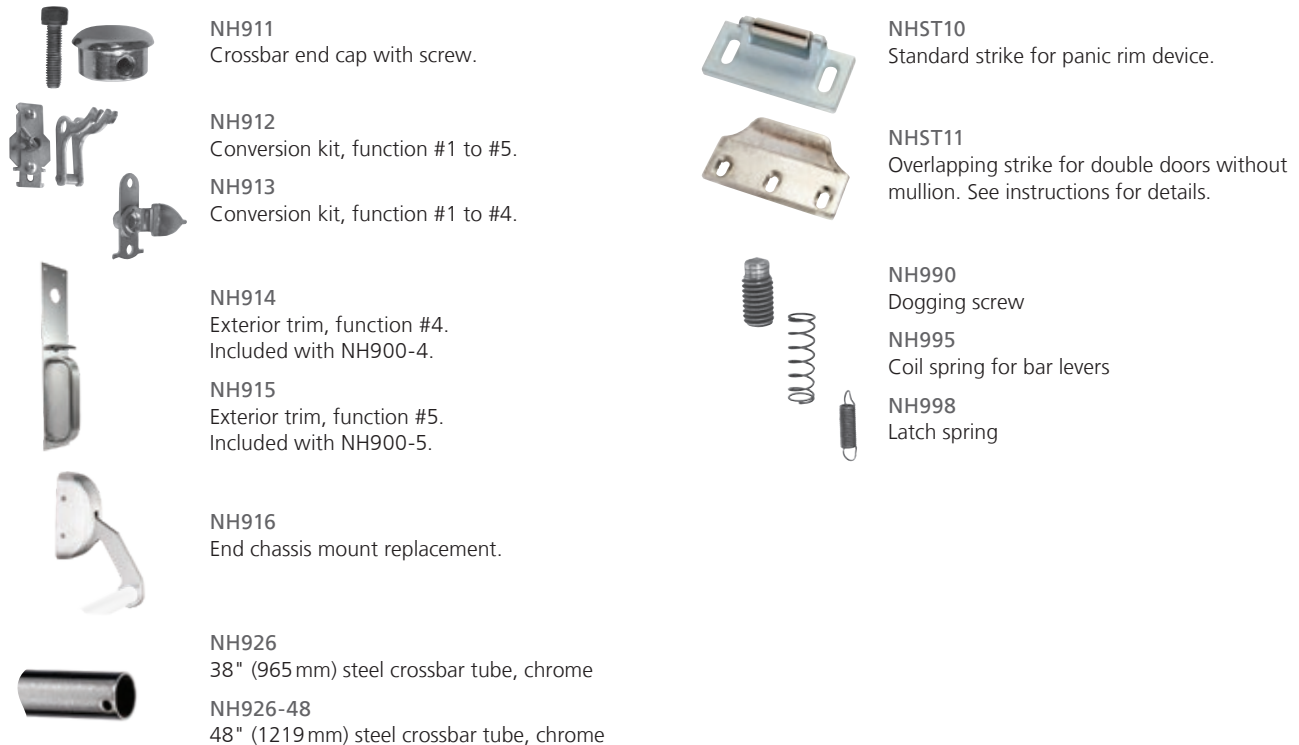
(\*) RIM CYLINDER NOT INCLUDED, SOLD SEPARATELY



MODEL	A	B	C	D	E <sup>1</sup>	F	G	H	K	M	P	Q
NH900-1	4¾	2⅛	8½	2⅛	38	2¾	4⅝	2	—	—	—	—
NH900-3/4/5	(121)	(54)	(216)	(68)	(965)	(55)	(117)	(51)	16 (406)	3½ (89)	2⅛ (52)	7½ (190)

IN (MM) (1) CAN BE CUT TO SIZE - SEE PRODUCT INSTALLATION INSTRUCTIONS

## PARTS & COMPONENTS





- Certifications**
- UL listed, Panic Exit
  - 1 Year limited warranty

- Handing**
- 1185: Non-handed (concealed vertical rod)
  - 1195: Handed (rim)

- Door Size**
- 30–36x84" (711–914x2134 mm)
  - 36–48x84" (914–1219x2134 mm) \*
- (\* ) With #1185-48 crossbar, sold separately

- Door Thickness**
- 1 3/4" (45.5 mm)
- Recommended for aluminum doors*

- Stile Width**
- 1 3/4" (44.5 mm) minimum
- Measured from door edge*

- Projection**
- 4 5/8" (118 mm) from door surface

- Latchbolts**
- Zinc alloy, 1/2" (12.7 mm)

- Vertical Rods**
- Standard for 7' (2134 mm) door
- 1185 concealed vertical rod model only*

- Crossbar**
- Field sizable
  - 36" (965 mm) aluminum extrusion
  - 48" (1219 mm) aluminum extrusion – available

- Strike**
- 1185: Standard steel top & bottom strikes
  - 1195: Roller type steel strike #1195S

- Dogging**
- 1185: by outside cylinder
  - 1195: by slotted key

- Hardware**
- Machine screws

- Finish**
- 20D–Dark bronze; 28–Aluminum
- Other finishes available by special order*

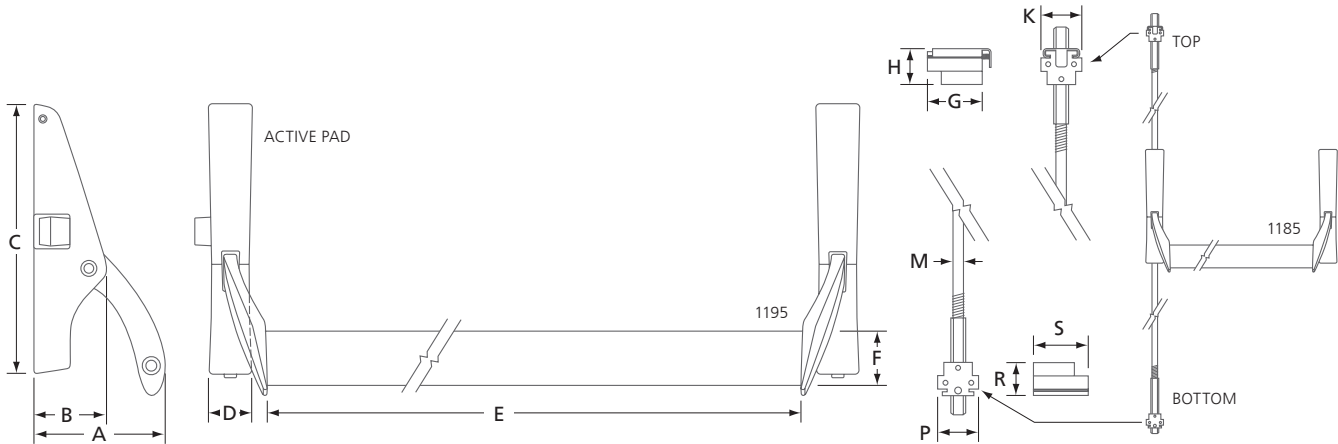
1195	28	LHR
MODEL <sup>1</sup>	FINISH	HAND <sup>2</sup>

(1) SEE SELECTION GUIDE (2) LHR –LEFT HAND REVERSED RHR –RIGHT HAND REVERSED

## SELECTION GUIDE

MODEL		DOOR SIZE <sup>1</sup>	DOGGING <sup>2</sup>	FINISH	/CASE
1185	Panic exit hardware concealed vertical rod crossbar, non-handed	30-36x84 (762-914x2134)	•	20D, 28	6
1195	Panic exit hardware rim crossbar, handed	30-36x84 (762-914x2134)	•	20D, 28	6

(1) RECOMMENDED DOOR SIZE, IN (MM), FOR NON-STANDARD SIZES OR INSTALLATIONS PLEASE CONTACT. (2) 1185: BY CYLINDER 1195: BY SLOTTED KEY



MODEL	A	B	C	D	E <sup>1</sup>	F	G	H	K	M	P	R	S
1185	4 <sup>5</sup> / <sub>8</sub> (117)	2 (51)	7 <sup>3</sup> / <sub>8</sub> (187)	1 <sup>1</sup> / <sub>4</sub> (32)	36 (914)	1 <sup>1</sup> / <sub>2</sub> (38)	1 <sup>1</sup> / <sub>2</sub> (38)	1 (25)	1 <sup>3</sup> / <sub>32</sub> (28)	∅ 3/ <sub>8</sub> (9.5)	1 <sup>3</sup> / <sub>32</sub> (28)	1 <sup>5</sup> / <sub>16</sub> (24)	1 <sup>1</sup> / <sub>2</sub> (38)
1195							—	—	—	—	—	—	—

IN (MM) (1) CAN BE CUT TO SIZE; 48" (1219MM) BAR AVAILABLE

## PARTS & COMPONENTS

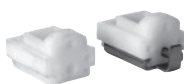


**1185-36**  
36" (914mm) extruded aluminum crossbar. Available in aluminum (28) or dark bronze (20D) finish.

**1185-48**  
48" (1219mm) extruded aluminum crossbar. Available in aluminum (28) or dark bronze (20D) finish.



**1170**  
Cylinder mounting kit with locking ring for #1185. Available in aluminum (28) or dark bronze (20D) finish.



**1185G**  
Top & bottom rod guides for #1185.



**40-809**  
Lever extension spring for #1185.



**1195PAD**  
Active pad for #1195. Indicate required handing. Available in aluminum (28) or dark bronze (20D) finish.



**1195S**  
Roller-type strike for #1195 panic rim device.



**50-979**  
Dogging pins and slotted key for #1195.