

# **PARAMOUNT**

---

## **BB148 SERIES**

### **SWING CLEAR TEMPLATE BUTT HINGES**

- Handed
  - High quality steel base material
  - High grade plated finish
  - Non-rising removable pins
  - Non-removable pin (NRP) available
  - Standard flat top and screw-out bottom tips
  - Increases accessibility for the handicapped and/or disabled
  - Standard template hole pattern
  - Quality wood screws and undercut machine screws included
- 



---

The Dorex Pro 148 series are specialty hinges designed to widen doorways for easier wheelchair accessibility by swinging the door completely clear of the opening. These hinges are suitable for moderate to high traffic wood or hollow metal door applications where extra clearance is needed. Dorex Pro brand are recognized for value while delivering lasting performance.

---

# BB148 SERIES HINGES

## SPECIFICATION

All full mortise swing clear ball bearing template hinges shall be Dorex Pro 148 series. Hinges shall be made from select quality steel base materials and high grade plated finish. Hinges shall be of standard weight, have 5 knuckles, 2 Slimline ball bearings with non-rising removable pins and standard flat top and screw-out bottom tips. Hinges shall have four square corners. Hinges shall be handed, and supplied with all necessary wood and undercut machine mounting fasteners.

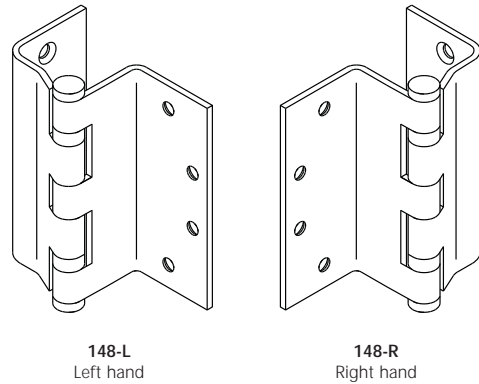
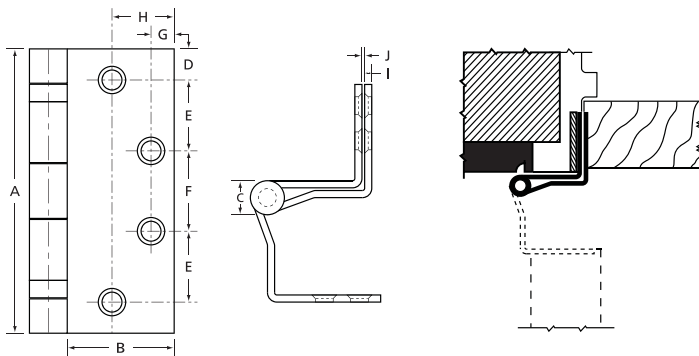
## SELECTION GUIDE

MODEL NUMBER	SIZE	FINISH	HANDING	MACHINE SCREWS	WOOD SCREWS	QTY BOX / CASE	CASE LBS / KG
148 454-L	4 1/2" (114.3mm) x 4" (101.6mm)	15	LH	#12-24 x 1/2" (12.7mm)	#12 x 1 1/4" (31.8mm)	3 / 30	50.8 / 23.0
148 454-R			RH				

ORDERING EXAMPLE: **BB148** | **L** | **454** | **15**  
 SERIES | HAND | SIZE | FINISH

## SIZE CHART

Left hand shown



MODEL	A	B	C	D	E	F	G	H	I	J
148 454	4 1/2 (114.3)	1 23/32 (43.3)	19/32 (15.2)	1/2 (12.9)	1 1/8 (28.6)	1 7/32 (31.3)	3/8 (9.5)	1 (25.4)	1/8 (3.4)	1/16 (1.8)