

PARAMOUNT

PARTS & ACCESSORIES

TEMPLATE HINGES



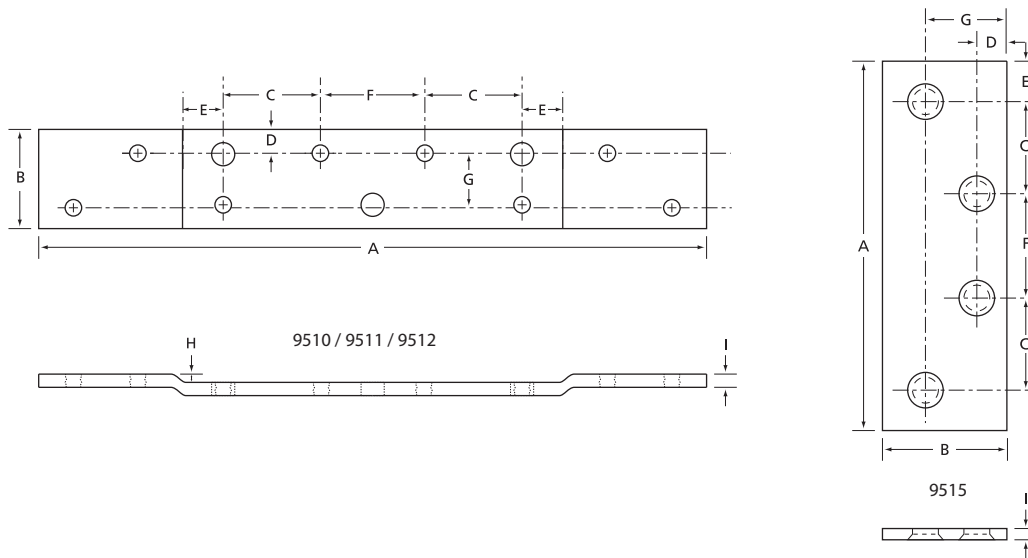
The Dorex Pro reinforcement & filler plate hinge accessories are made from the highest quality materials offering complementary installation options for wood, hollow metal and/or commercial aluminum door applications. Dorex Pro brand products are recognized for value while delivering lasting performance.

TEMPLATE HINGES

SELECTION GUIDE

MODEL NUMBER	SIZE AND DESCRIPTION	FINISH	SCREWS HOLE SIZE (Screws are not included)*	BOX / CASE QTY	CASE LBS / KG
9510	7 15/16" (201.6mm) x 1 3/16" (30.2mm) Template reinforcement plate, 3/32" (2.5mm) offset	ZP	#12-24	12 / 120	52.6 / 23.9
9511	7 15/16" (201.6mm) x 1 3/16" (30.2mm) Template reinforcement plate, 1/16" (1.2mm) offset				
9512	7 15/16" (201.6mm) x 1 3/16" (30.2mm) Template reinforcement plate, no offset				
9515	4 1/2" (114.3mm) x 1 1/2" (38.1mm) Template filler plate	EXW, ZP		50 / 150	43.6 / 19.8

SIZE CHART



MODEL	A	B	C	D	E	F	G	H	I
9510	7 15/16 (202)	1 3/16 (30)	1 1/8 (28.6)	17/64 (6.7)	17/32 (13.5)	1 15/64 (31.3)	5/8 (15.0)	3/32 (2.5)	5/32 (4.0)
9511								1/16 (1.2)	
9512								N/A	
9515	4 1/2 (114.3)	1 1/2 (38.1)	1 1/8 (28.6)	3/8 (9.5)	33/64 (13.1)	1 15/64 (31.3)	1 (25.4)	N/A	