

PARAMOUNT

22 SERIES COMMERCIAL LOCKSETS

- Non-handed
 - For 1 3/8" (35mm) to 1 7/8" (48mm) door thickness
 - Standard backset 2 3/4" (70mm); optional 2 3/8" (60mm)
 - Latch with square corners faceplate
 - Standard ASA strike
 - Solid brass 6-pin tumbler cylinder
 - Standard Schlage "C" keyway
 - Rose cover conceals mounting screws
 - Easy installation, fits ANSI 115.2, 161 door prep
 - Wide variety of functions available
 - Conforms to ANSI A156.2 series 4000, Grade 2
 - 3 hour UL fire rating
 - 1 year mechanical limited warranty
-



CONFORMS TO ANSI
GRADE 2



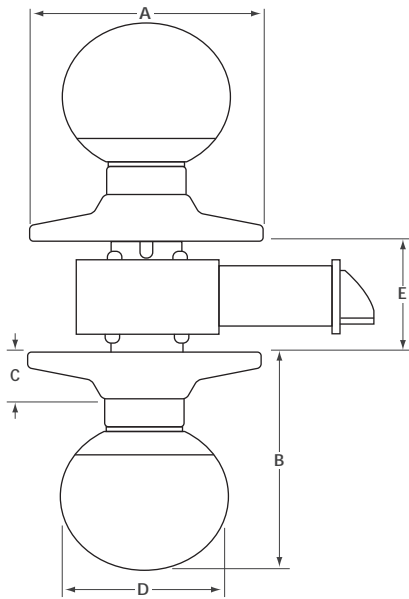
22 series standard duty locksets are recommended by door hardware specialists for use in multi-unit housing or standard commercial applications.

22 SERIES LOCKSETS

SPECIFICATION

All bored knobsets shall be 22 Series. Knobsets shall meet ANSI A156.2 Series 4000, Grade 2 specification requirements. The knobsets shall have 3 hour fire UL rating. The lock chassis shall be made of steel and zinc construction materials with corrosion resistance protection. The latch bolt shall be made of brass chrome plated material, with 1/2" (12.7mm) throw and deadlocking feature on keyed functions. The standard latch bolt backset shall be 2 3/4" (70mm) and optional 2 3/8" (60mm). The latch face plate shall be made of corrosion protected steel, 1 1/8" x 2 1/4" (28.5mm x 57.1mm) with square corners. The cylinder shall be solid brass with 6-pin tumbler and a standard Schlage "C" keyway.

SIZE CHART & SELECTION GUIDE



SERIES	A	B	C	D	E	MODEL NUMBER	FUNCTION	FINISH	QTY PER CASE	WEIGHT LBS / KG
22-B	2 15/16 (75.0)	2 5/8 to 3 (66 to 76.4)	21/32 (21.5)	2 3/16 (56.0)	1 3/8 to 1 7/8 (35.0 to 48)	22-B00	Dummy	3, 32D	50	29.9 / 13.6
						22-B10	Passage		20	45.0 / 20.4
						22-B40	Privacy		46.4 / 21.0	
						22-B53	Entrance		48.0 / 21.8	
						22-B53-LC*	Entrance, less core		47.2 / 21.4	
						22-B70	Classroom		47.3 / 21.5	
						22-B70-LC*	Classroom, less core		46.4 / 21.1	
						22-B72*	Communication		51.0 / 23.2	
						22-B72-LC*	Communication, less core		43.5 / 19.7	
						22-B80	Storeroom		50.2 / 22.8	
						22-B80-LC*	Storeroom, less core		48.0 / 21.8	
						22-B82	Institution or utility		53.8 / 24.4	
						22-B82-LC*	Institution or utility, less core		47.3 / 21.5	
						22-B89*	Exit		35.0 / 15.9	

ORDERING EXAMPLE: 22-B | 53 | -LC | -32D
SERIES | **FUNCTION** | **OPTION** | **FINISH**

PARTS & ACCESSORIES

STRIKE-T	T-type strike, 1 1/8" (29mm) x 2 3/4" (70mm)	SL234	2 3/4" (70mm) passage latch
ASA-T	ASA strike with adjustable tab	EXT5	Latch extension for 5" (127mm) backset
DL238	2 3/8" (60mm) deadlatch		
DL234	2 3/4" (70mm) deadlatch		
SL238	2 3/8" (60mm) passage latch		

STRIKE-T



ASA-T



DEADLATCH



SPRING LATCH



EXT5

