

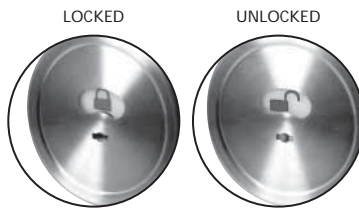
# PARAMOUNT

## TLA SERIES COMMERCIAL DEADBOLTS

- Non-handed
- For 1 3/8" (35mm) to 1 7/8" (48mm) door thickness
- Standard backset 2 3/4" (70mm); optional 2 3/8" (60mm) and 5" (127mm)
- Single cylinder deadlock with inside thumbturn, or double cylinder function
- Solid brass 6-pin tumbler cylinder
- Standard Schlage "C" keyway
- Easy installation for new construction or retrofit
- Conforms to A156.5, Grade 2
- 3 hour UL fire rating
- 1 year mechanical limited warranty



SFIC model available



Indicator deadbolt available

CONFORMS TO ANSI  
**GRADE 2**



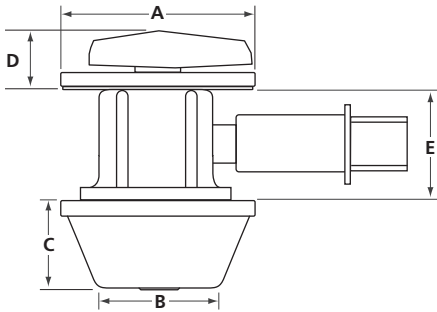
TLA series heavy-duty deadbolts provide added security and are recommended by door hardware specialists for use in multi-unit housing or standard commercial applications.

# TLA SERIES DEADBOLTS

## SPECIFICATION

All bored deadbolts shall be TLA series. Deadbolts shall meet the requirements of ANSI 156.5, Grade 2. Deadbolts shall be adjustable for 1 3/8" (35mm) to 1 3/4" (44mm) door thickness. Deadbolts shall fit into a standard 2 1/8" (55mm) bore, 1" (25.4mm) dead-bolt door-edge bore and 1 1/8" (28.5mm) x 2 1/4" (57mm) faceplate. Deadbolts shall have a standard 2 3/4" (70mm) backset, 1" (25.4mm) throw and brass bolt with saw-resistant hardened steel insert. Strike shall consist of a standard 2-hole strike 1 1/8" (28.5mm) x 2 3/4" (70mm) and a dust box. Deadbolts TLA51 comes with a single cylinder deadlock and an inside thumbturn. Deadbolt TLA60 comes with double cylinder deadlock. Deadbolt shall have a solid brass 6-pin tumbler cylinder with standard Schlage "C" keyway and shall have a 3-hour UL listing for use on fire doors. Deadbolts are non-handed and are supplied with all necessary mounting hardware. **OPTIONAL:** 2 3/8" (60mm) and 5" (127mm) deadbolt backset, 4-hole strike for wood frame (9118).

## SIZE CHART & SELECTION GUIDE

						MODEL NUMBER	FUNCTION	FINISH	QTY PER CASE	WEIGHT LBS / KG												
<table border="1"> <thead> <tr> <th>SERIES</th> <th>A</th> <th>B</th> <th>C</th> <th>D</th> <th>E</th> </tr> </thead> <tbody> <tr> <td>TLA</td> <td>2 9/16 (65)</td> <td>1 5/8 (41)</td> <td>1 1/8 (29)</td> <td>1 1/16 (27)</td> <td>1 3/8 to 1 7/8 (35 to 48)</td> </tr> </tbody> </table>						SERIES	A	B	C	D	E	TLA	2 9/16 (65)	1 5/8 (41)	1 1/8 (29)	1 1/16 (27)	1 3/8 to 1 7/8 (35 to 48)	TLA51	Single cylinder deadlock with inside thumbturn	3, 32D	20	43.6 / 19.8
						SERIES	A	B	C	D	E											
						TLA	2 9/16 (65)	1 5/8 (41)	1 1/8 (29)	1 1/16 (27)	1 3/8 to 1 7/8 (35 to 48)											
						TLA51 IC	Single cylinder deadlock with IC and inside thumbturn	26D, 32D	44.0 / 20.0													
TLA60	Double cylinder deadlock	3, 32D	58.2 / 2.4																			
TLA421	Privacy	26D, 32D	13.64 / 6.2																			

**ORDERING EXAMPLE:** TLA / 51 / -32D  
SERIES      FUNCTION      FINISH

## PARTS & ACCESSORIES

9111*	2 hole strike for steel frame, 1 1/8" (29mm) x 2 3/4" (70mm)	TL007	2 3/8" (60mm) backset deadbolt - TLA51, TLA60
9111NH*	Blank strike, 1 1/8" X 2 3/4", NO HOLE	TL008	2 3/4" (70mm) backset deadbolt - TLA51, TLA60
9118*	4 hole strike for wood frame, 1 1/8" (29mm) x 2 3/4" (70mm)	TL009	5" (127mm) backset deadbolt - TLA51, TLA60

9111



9118



DEADBOLTS

