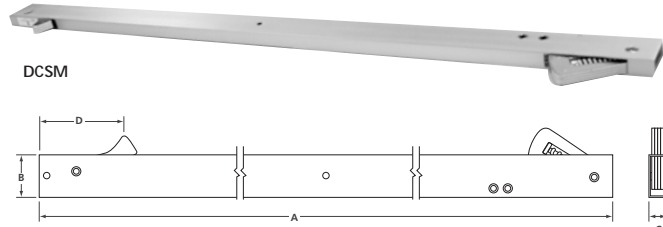


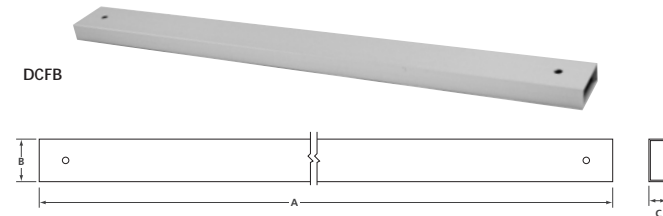


SURFACE MOUNT DOOR COORDINATORS



- Surface mounted, metal construction with aluminum housing
- Non handed, automatic coordinating device for sequential closing of paired doors with or without astragal
- Coordinator allows inactive door to close before the active door
- Active door holding lever with adjustable tension
- UL listed fire door coordinator
- Finish: Aluminum
- Available housing lengths:
 - » 32" (813 mm) for door openings 34" to 52" (864 mm to 1320 mm) or pair of 24" (610 mm) doors
 - » 42" (1067 mm) for door openings 52" to 72" (1320 mm to 1829 mm) or pair of 30" (762 mm) doors
 - » 52" (1320 mm) for door openings 62" to 92" (1575 mm to 2337 mm) or pair of 36" (914 mm) doors
 - » 60" (1524 mm) for door openings 70" to 108" (1778 mm to 2743 mm) or pair of 42" (1067 mm) doors

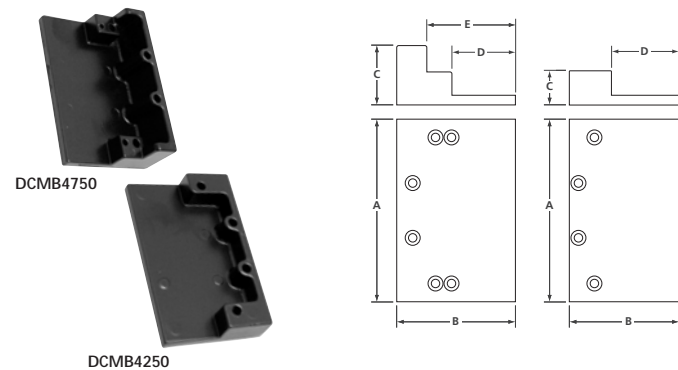
FILLER BAR



Optional filler bars (sold separately):

- #DCFB18, Aluminum tube
5/8" x 1-5/8" x 18" (16 mm x 41 mm x 457 mm)
- #DCFB32, Aluminum tube
5/8" x 1-5/8" x 32" (16 mm x 41 mm x 813 mm)
- #DCFB42, Aluminum tube
5/8" x 1-5/8" x 42" (16 mm x 41 mm x 1067 mm)

MOUNTING BRACKETS



Optional mounting brackets and screws (sold separately):

- #DCMB4250, for a door stop height of 5/8" (16 mm) and a minimum door stop width of 2-1/4" (57 mm)
- #DCMB4750, for a door stop height of 5/8" (16 mm) and a door stop width of 7/8" (22 mm) to 2-1/4" (57 mm)

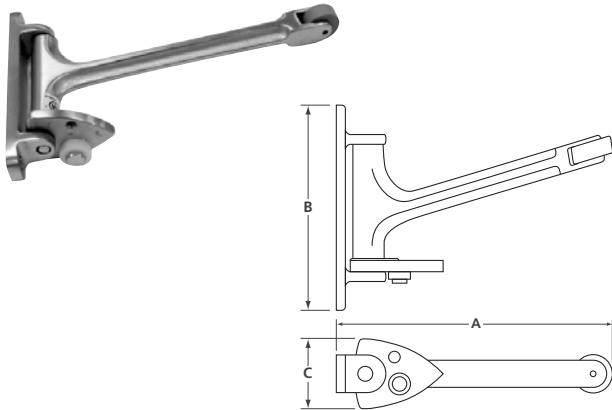
MODEL NUMBER	MATERIAL	FINISH	A	B	C	D	E	QTY PER BOX	WEIGHT LBS / KG
DCSM32	Extruded Aluminum	28	32 (813)	1 5/8 (41)	5/8 (16)	3 (76)	N/A	1	2.6 / 1.2
DCSM42			42 (1067)					1	3.5 / 1.6
DCSM52			52 (1321)					1	3.7 / 1.7
DCSM60			60 (1524)					1	4.0 / 1.8
DCFB18	Extruded Aluminum	28	18 (457)	1 5/8 (41)	5/8 (16)	N/A	N/A	1	0.4 / 0.2
DCFB32			32 (813)					1	0.8 / 0.4
DCFB42			42 (1067)					1	1.1 / 0.5
DCMB4250	Zinc die-cast	BLK	5 1/4 (132.8)	3 (76)	1 (25.4)	1 5/8 (41)	N/A	1 Pair	1.5 / 0.7
DCMB4750				3 1/4 (82)	5/8 (16)			2 7/16 (62)	1 Pair

ORDERING EXAMPLE: DCSM32 | -28
 SERIES | FINISH

BLK – Black 28 – Aluminum N/A – Not applicable

Dimensions unless specified otherwise are: Inches (Millimeters)

GRAVITY DOOR COORDINATOR



- Solid forged brass
- Use on pairs of doors with astragal up to 4" (102mm) or without
- Gravity action coordination arm with rubber roller for efficient and quiet operation
- Field reversible hand and with door bracket adjustable for ease of installation
- Nylon roller on short arm glides smoothly over door strike and bracket, ensuring silent operation
- Surface mounted, supplied with a strike plate, an arm lift bracket and mounting hardware
- UL listed for fire doors, conforms to ANSI/BHMA 156.3 type 21
- Finish: Satin chrome (26D)

USE DCG-7 ON PAIR OF DOORS WITH	USE DCG-9 ON PAIR OF DOORS WITH
active door size [w/ astragal] ≤ 4' (121.9cm) or inactive door size [w/ astragal] ≤ 3'4" (101.6cm) or if astragals on both doors ≤ 2'10" (86.4cm)	active door size [w/ astragal] > 4' (121.9cm) or inactive door size [w/ astragal] > 3'4" (101.6cm) or if astragals on both doors > 2'10" (86.4cm)

MODEL NUMBER	MATERIAL	FINISH	A	B	C	QTY PER BOX	WEIGHT LBS / KG
DCG7	Forged Brass	26D	7 (178)	5 1/2 (140)	1 5/8 (41)	1	2.2 / 1.0
DCG9			9 (229)				

ORDERING EXAMPLE: **DCG7** | **-26D**
SERIES | FINISH